

Installation and Maintenance Instructions

10 Series Emergency Shut-Off Valves

IMPORTANT: Please read all warnings and follow the installation instructions completely and carefully. Failure to do so will void all warranties and may cause product failure, or result in environmental contamination due to liquid leakage into the soil, creating hazardous spill conditions.

WARNING - DANGER: Using electrically operated equipment near gasoline or gasoline vapors may result in fire or explosion, causing personal injury and property damage. Be sure that the working area is free from such hazards, and always use proper precautions.

WARNING: Proper operation is dependent on proper installation and regular maintenance. The following instructions are provided to assist you in properly installing and maintaining your 10 Series Valve. Failure to follow these instructions may cause failure of the valve to close in the event of an emergency, resulting in a hazardous condition.

The valve body must be rigidly anchored to a structural member within the island to insure breakage at the shear groove in the event of severe impact. Failure to provide a rigid mounting may result in a failure of the valve to close or break in a portion of the inlet pipe in the event of severe impact, resulting in an excessive loss of product and a hazardous condition.

The Shear Groove must be at the same level or a maximum of 1/2" above or below the top of the pedestal island. Failure to install the shear groove at this level may cause a failure to break-off in the event of severe impact, resulting in a hazardous condition.

CAUTION: The Hub Sub-assembly must have ample clearance to prevent striking against the side of the pit as the valve closes. If the lever hits the side of the pit, the valve will not close in the event of an emergency, resulting in a hazardous condition.

IMPORTANT NOTICE: When mounting the OPW 10 Series Emergency Shut-Off Valves, the anchoring device employed must withstand a force greater than 650 ft. pounds per valve. Stabilizer mounting bolts are provided with each valve. U-Bolt mounting hardware (10UBK-015) must be purchased separately.

IMPORTANT: WHEN USING THE U-BOLT MOUNTING METHOD, ONLY USE AN OFFICIAL OPW U-BOLT, ANY OTHER U-BOLT USED VOIDS ANY AND ALL PRODUCT WARRANTIES.

OPW RECOMMENDED INSTALLATIONS:

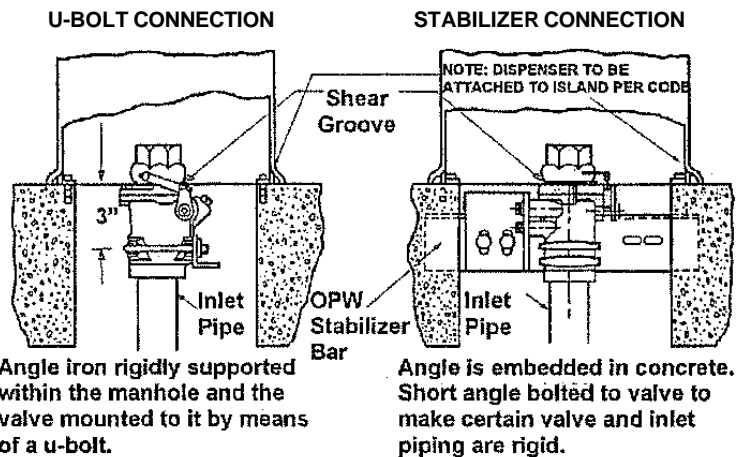


Figure 1

HOW TO ATTACH VALVE TO RISER STUB

Coat riser stub with a UL classified gasoline-resistant pipe-joint sealing compound (non-hardening) before attaching the valve to the riser stub. (Figure 1)

DO NOT USE TEFLON TAPE

Thread valve tightly onto riser stub by grasping inlet end surface "A" (See Figure 2).

If you don't have room in the pit to attach wrench on surface "A", use OPW Wrench 10-RW.

A dirt protector is supplied in the outlet end of the valve and should remain in place until the final connection is made between the valve and pedestal.

CAUTION: Tighten threads until tight seal is obtained. Additional tightening may cause the body to crack and allow product leakage at test or in service. TORQUE SPECIFICATIONS 125—135 FOOT POUNDS.

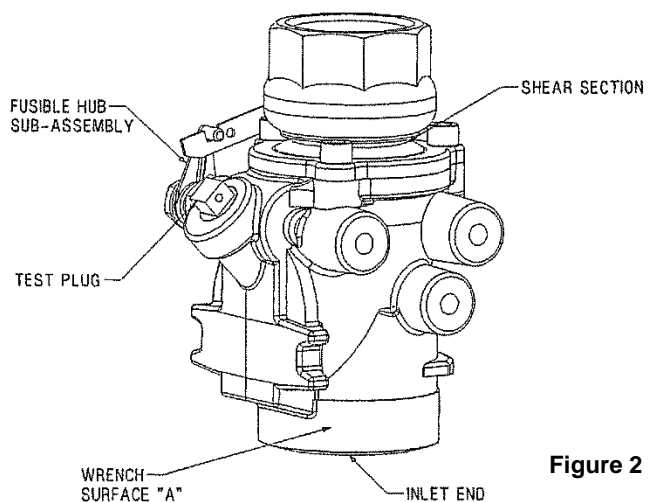


Figure 2



The OPW 10RW Wrench is available for easy valve installation. For use with all 10 series valves except the 10BHMP.

CAUTION: DO NOT ATTEMPT TO TIGHTEN VALVE ONTO RISER BY WRENCHING ABOVE THE SHEAR SECTION. If you do, the shear section will break.

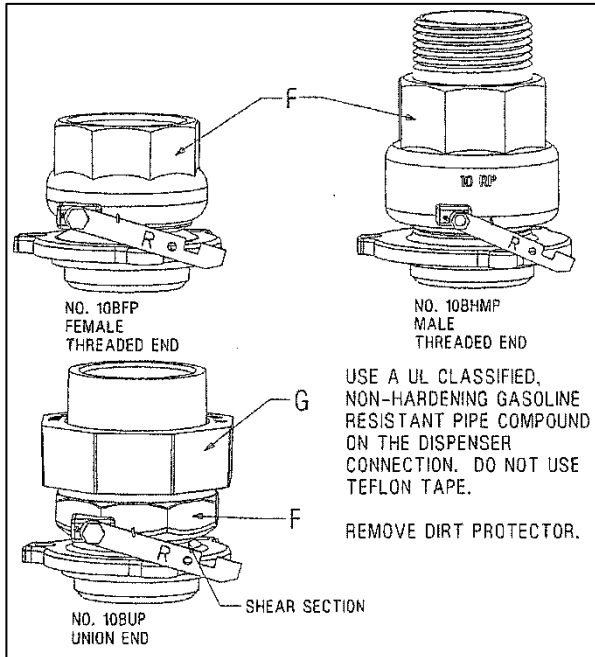


Figure 3

HOW TO ATTACH OUTLET OF VALVE TO DISPENSER PIPING

OPW 10 Series Internal and External Tops

Hold valve steady with one wrench on hex surface "F" - if wrench is turned, shear section will break. The second wrench is used to tighten the union ring "G".

IMPORTANT: Always keep the union top paired with the corresponding union bottom that it was shipped with. Exchanging components may result in sealing difficulty at union after installation.

REQUIRED MAINTENANCE

The service application of this valve requires that it do nothing until it is needed in the event of an emergency. Therefore, to insure proper action in the event of an emergency, the following procedure is required: At least once each year, manually open and loosen the valve several times to help prevent gum deposit build-up and/or other conditions that may affect the operation of the valve.

WARNING: ANYTIME AN OPW 10 SERIES EMERGENCY VALVE IS BEING TESTED OR SERVICED, THE POWER TO THE PUMPING SYSTEM MUST BE TURNED OFF.

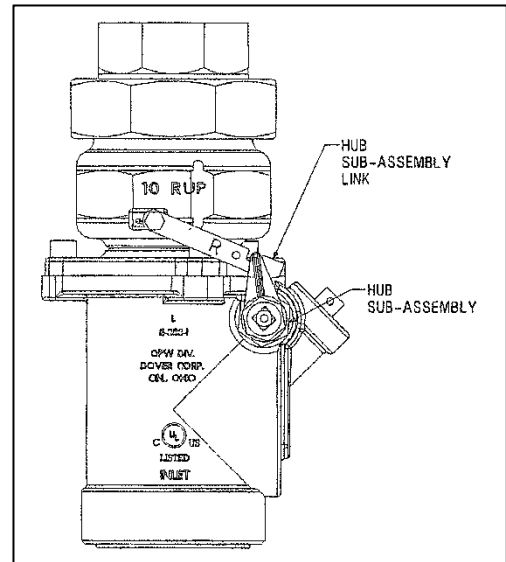


Figure 4

HOW TO OPEN VALVE MANUALLY

After the valve has been attached to riser and pedestal piping, and pressure testing completed, it should be cocked open. To open the valve, rotate the hub sub-assembly to the left (counter-clockwise), raise the hub sub-assembly link and engage it with the pin in the hub sub-assembly. (See Figure 4).

HOW TO SHUT OFF VALVE MANUALLY

These valves may be closed manually by either of 2 methods:

1. By pushing down on the hub sub-assembly link. (See Figure 4)
2. By first moving the hub sub-assembly slightly to left (counter clockwise), and then to the right (clockwise).

PRESSURE TESTING THE PIPING SYSTEM

NOTE: This testing is for piping systems only. The tank should be isolated and not subjected to the pressure used in testing the piping system. (See NFPA Code 30a for tank test recommendations.)

After isolating tank, test piping as follows: Each OPW 10-R Series Emergency Valve has a built-in 3/8" test plug to permit testing of the piping system for leaks after installation. To use this valve in testing the piping, be certain pump is turned off, then close the valve manually, remove test plug, and attach test line as shown. There is no need to break the line above or below the valve or to remove valve.

NOTE: To prevent damage to the valve seat and disc, DO NOT apply more than 50 psi pressure to the test line. See NFPA 30a for test details. A separate test is required for the tank.

CAUTION: Do not use Teflon tape on threads. Coat test line or test plug threads with a small amount of a UL classified gasoline-resistant pipe-joint sealing compound (non-hardening). Tighten until a complete seal is obtained. Additional tightening may cause the body to crack and allow product leakage at test or in service. (Torque specification is 9–11 foot pounds.)

IN CASE OF FIRE OR DAMAGE

In the event the valve is activated due to fire, trauma or any other unintended situation, the valve body must be carefully examined. In the event any damage is suspected, the body should be replaced. The entire top section and the stem "O" ring must be replaced in all cases. The valve must be fully tested prior to being returned to service.

NOTICE: A very strong blow or fire may cause the valve to be distorted. Any type valve may distort after exposure to fire or shock or impact and the poppet may not seat tightly. Only by replacing the top, or the entire valve when necessary, can you be sure of getting tight shut-off the next time an accident occurs.

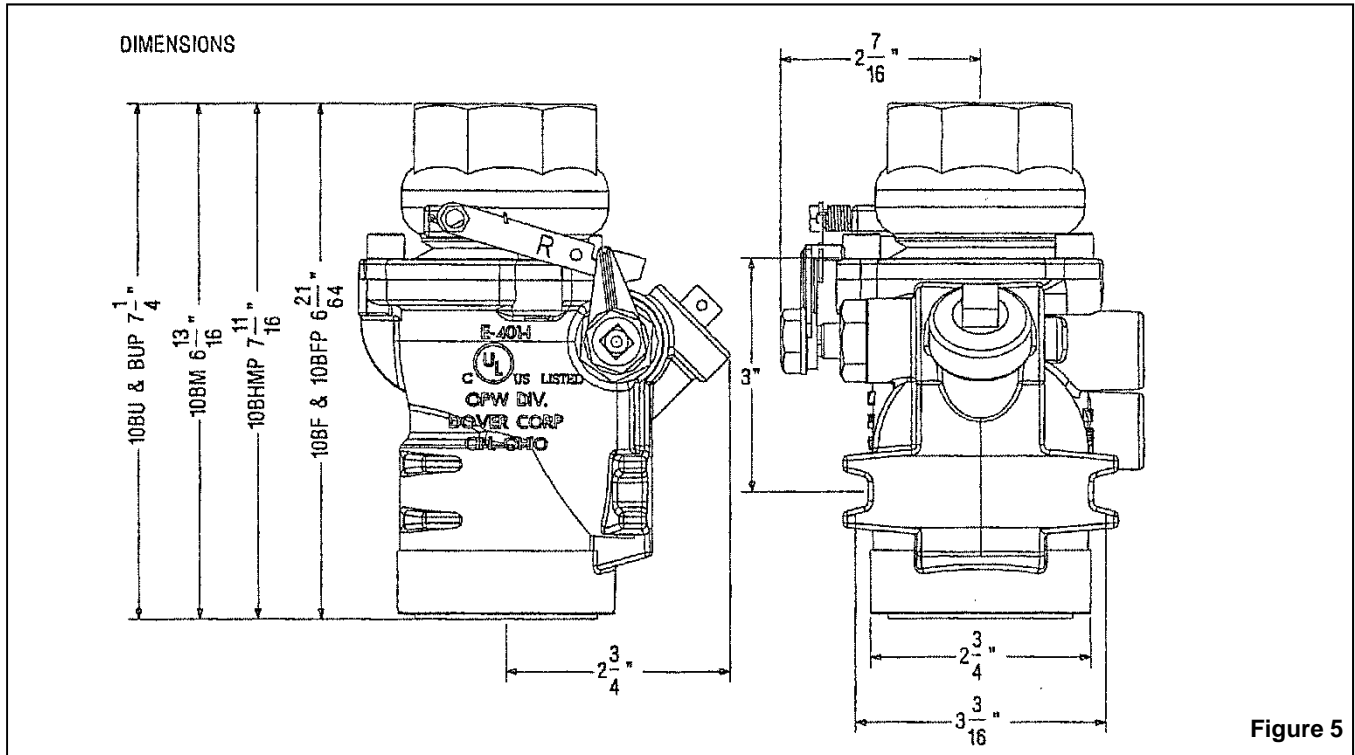


Figure 5

HOW TO REPLACE TOP SHEAR SECTION

1. Shut off electrical power to dispenser and pump and lock switch.
2. Shut off valve manually and drain system.
3. Remove pipe or fitting from top of valve. The body does not have to be removed.
4. Remove three (3) bolts and lift damaged top out of body. Remove old seal ring.
5. Install new seal ring and then new top, (Top Assembly Replacement Kit). Replace three (3) bolts and tighten.

CAUTION: Link Spring must exert a downward force on the Hold Open Link. (See pictures in this instruction sheet, or look at an undamaged valve in another installation.)

6. Replace pipe or fitting and test system for leaks.
7. Turn on electrical power to dispenser and pump.

Replacement Kit—Top Assembly

Top Assembly 10BF, 10BFP..... 10RFT, 10FTP
 Top Assembly 10BM, 10BHMP..... 10RMT, 10MTP
 Top Assembly 10BU, 10BUP..... 10RUT, 10UTP

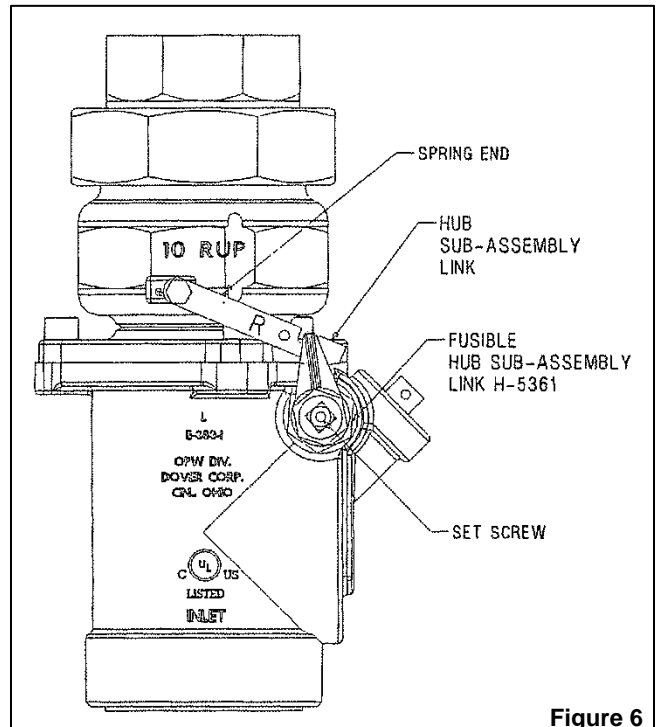



Figure 6

PRODUCT MARKING

Product marking shall include the following information:

Manufacturer's name or identification:	OPW FC / Fibrelite Composites Ltd.
Certificate number:	Sira 06ATEX9341U
EN number:	EN 13617-3
The ambient temperature range if it is outside the temperature range of -20°C to +40°C:	N/A
Class – as defined by EN 13617-3:	Class II
Manufacturer's type identification:	10 Series Shear Valves
Serial number, batch code or date code with a precision of at least year and quarter:	YY/MM/DD xxxx
Direction of Flow:	↑
2014/34/EU Directive (nnnn = number of notified body issuing the ATEX QA Notification)	nnnn  II 1 G

OPW STANDARD PRODUCT WARRANTIES

NOTICE: FlexWorks by OPW, Inc., VAPORSAVER™ and all other OPW products must be used in compliance with all applicable federal, state, provincial and local laws, rules and regulations. Product selection must be based on physical specifications and limitations, compatibility with the environment and material to be handled. All illustrations and specifications in this literature are based on the latest production information available at the time of publication. Prices, materials and specifications are subject to change at any time, and models may be discontinued at any time, in either case, without notice or obligation.

OPW warrants solely to its customer that the following products sold by OPW will be free from defects in materials and workmanship under normal use and conditions for the periods indicated:

Product	Warranty Period
FlexWorks Primary Pipe	10 years from date of manufacture
All Products Certified to California 2001 Standards*	1 year from date of manufacture or from date of installation registration (not to exceed 15 months from date of manufacture)
All other Products	1 year from date of manufacture
* Products certified to California 2001 Standards will have an OPW registration card enclosed/attached to the product.	

OPW's exclusive obligation under this limited warranty is, at its option, to repair, replace or issue credit (in an amount not to exceed the list price for any defective product) for future orders for any product that may prove defective within the applicable warranty period (repairs or replacements are subject to prorated warranty coverage for remainder of the original warranty period). Complete and proper warranty claim documentation and proof of purchase required. All warranty claims must be made in writing and delivered during the applicable warranty period to OPW at 9393 Princeton Glendale Rd., Hamilton, Ohio 45011, Attention: Customer Service Manager. No products may be returned to OPW without its prior written authority.

This limited warranty shall not apply to any FlexWorks or VAPORSAVER™ product unless it is installed by an OPW attested installer. This limited warranty also shall not apply to any FlexWorks, VAPORSAVER™ or other OPW product: unless all required site and warranty registration forms are completed and received by OPW within 60 days of installation; unless all piping connections are installed with a nationally-recognized or state-approved leak detection device in each tank and dispenser sump (which are not for storage and from which all discharge hydrocarbons must be removed, and the systems completely cleaned, within 24 hours); unless testable sumps utilize FlexWorks pipe and access fittings; unless a sump inspection log or an EPA recommended/required checklist is maintained and the results are furnished to OPW upon request; and unless OPW is notified within 24 hours of any known or suspected product failure and is provided with unrestricted access to the product and the site. This limited warranty also shall not apply to any product which has been altered in any way, which has been repaired by anyone other than a service representative authorized by OPW, or when failure or defect is due to: improper installation or maintenance (including, without limitation, failure to follow FlexWorks Manuals and Installation Guides and all product warning labels); abuse or misuse; violation of health or safety requirements; use of another manufacturer's, or otherwise unauthorized substances or components; soil or other surface or subsurface conditions; or fire, flood, storm, lightning, earthquake, accident or any other conditions, events or circumstances beyond OPW's control.

THIS LIMITED WARRANTY IS IN LIEU OF ALL OTHER WARRANTIES, EXPRESS OR IMPLIED, AND ALL OTHER WARRANTIES INCLUDING, WITHOUT LIMITATION, THE WARRANTIES OF MERCHANTABILITY AND FITNESS FOR A PARTICULAR PURPOSE, ARE HEREBY EXCLUDED. OPW shall have no other liability whatsoever, whether based on breach of contract, negligence, gross negligence, strict liability or any other claim, including, without limitation, for special, incidental, consequential or exemplary damages or for the cost of labor, freight, excavation, clean-up, downtime, removal, reinstallation, loss of profit, or any other cost or charges. No person or entity is authorized to assume on behalf of OPW any liability beyond this limited warranty. This limited warranty is not assignable.

IMPORTANT INFORMATION - FOLLOW ALL INSTRUCTIONS

Please contact your OPW-FCS sales representative or OPW-FCS customer service representative at 1-800-422-2525 for OPW-FCS products installation procedures. All OPW-FCS literature including installation instruction sheets and manuals can be accessed from the OPW-FCS website at: www.opwglobal.com.



**SNAYGILL INDUSTRIAL ESTATE, KEIGHLEY ROAD,
SKIPTON, NORTH YORKSHIRE, BD23 2QR, UK**
Customer Service: (800)-422-2525
Customer Service Fax: (800)-421-3297
www.opwglobal.com