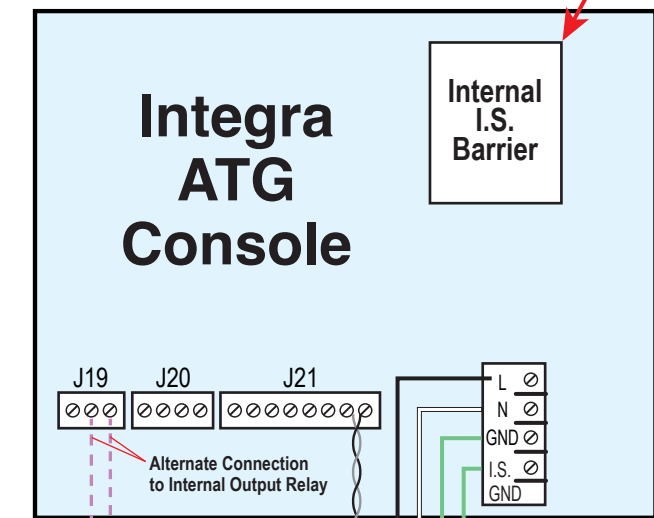
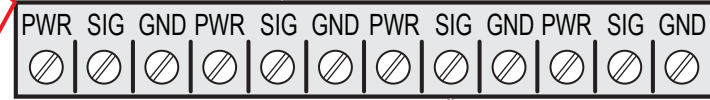
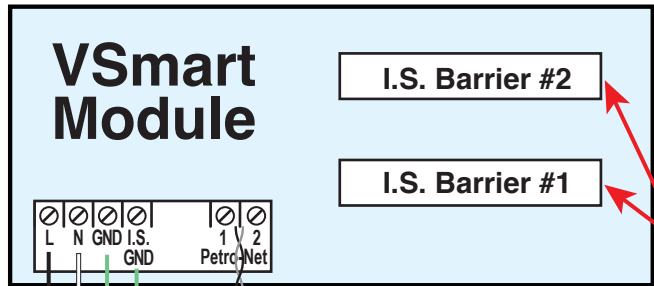


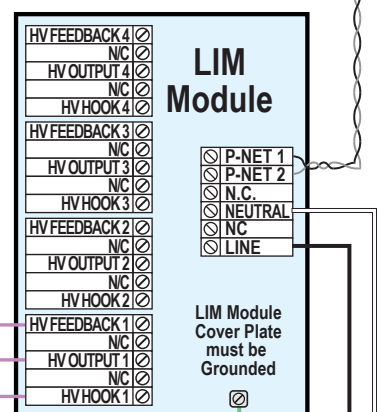
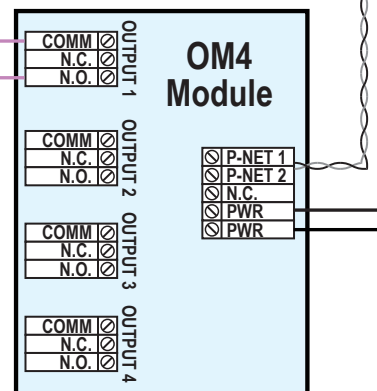
Line, Neutral, Ground – minimum 14-AWG stranded copper



Internal I.S. Barrier

**OPW Petro-Net Cable Part # 12-1029 (twisted pair RS-485)**

- Maximum length for entire Petro-Net circuit = 5,000 feet
- Connect all runs together in parallel
- Ensure that polarity is maintained (black = PNet 1/A)



**NOTE:** All Grounding Connections must connect to Service Panel Ground Lugs

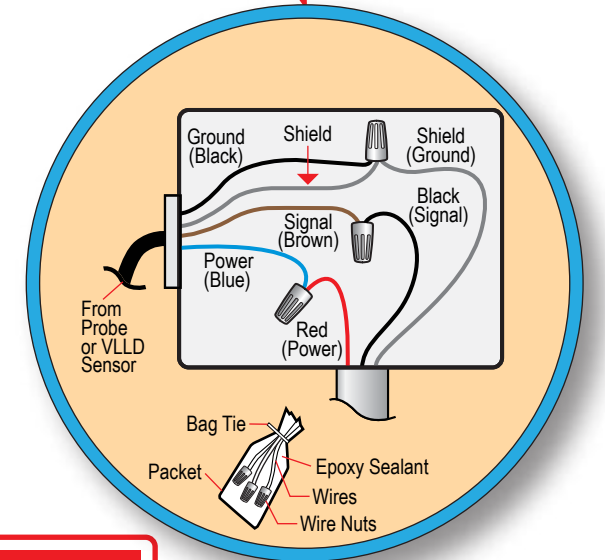
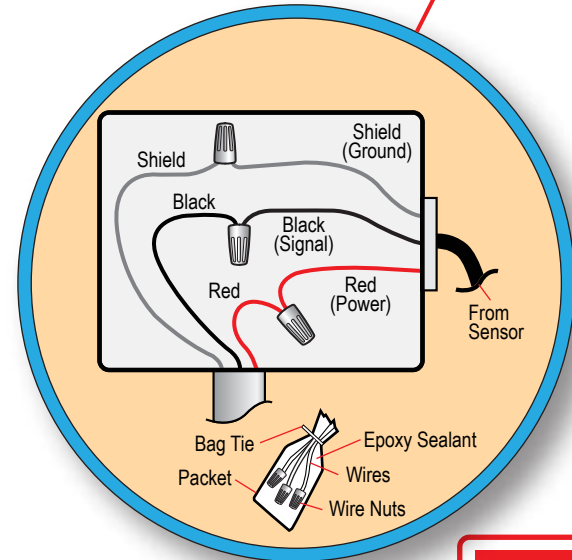
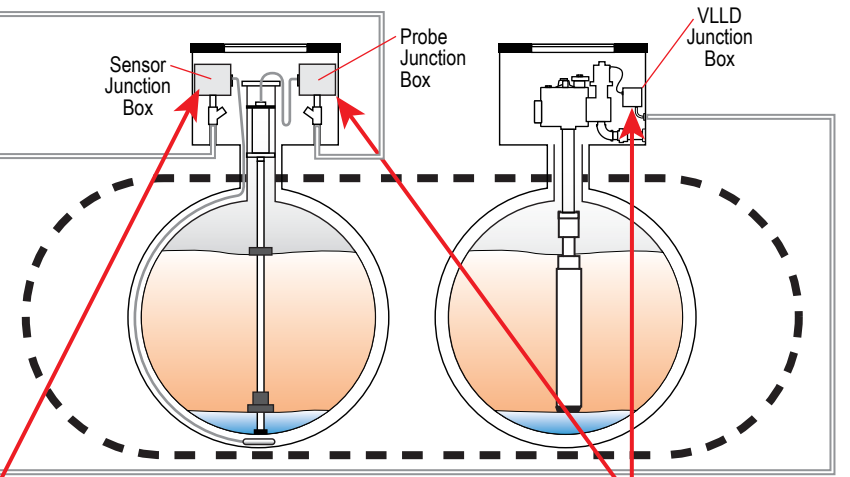
Up to 4 - 924B Mag Probes may be wired in parallel with one home run.

Up to 16 sensors may be wired in parallel with one home run.

Up to 3 VLLD Sensors may be wired in parallel with one home run.

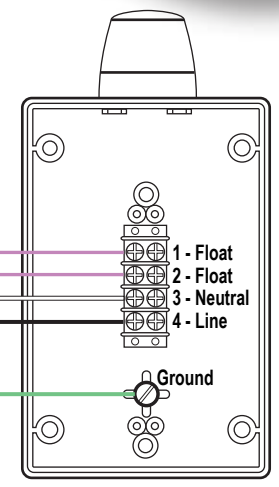
Recommended cable: Belden #88760 (shielded 2-wire twisted pair)

**NOTE:** NO splices allowed between last device connection and I.S. Barrier.



**Tank Overfill Alarm**

**NOTE:** If continuous alarm is needed, wire Normally Closed (Open under power)

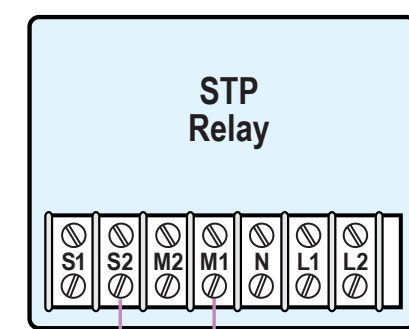


**NOTE:** Tank Alert Ground must connect to Service Panel Ground Lugs

**CAUTION:** LIM Power, HV Feedback and HV Hook MUST be on the same electrical phase.

**IMPORTANT:** All field wiring must comply with NFPA 30A & 70 as well as all national, state and local electrical codes.

**Dispenser Hook Signal**



**CAUTION:** All OPW equipment MUST be on the same phase!

All equipment must be on individual 15 amp circuits (except OM4)

**OPW**  
A DOVER COMPANY

**SiteSentinel**  
**Integra 500**  
Field Wiring Diagram  
M00-INTEGRA500, REV. 0