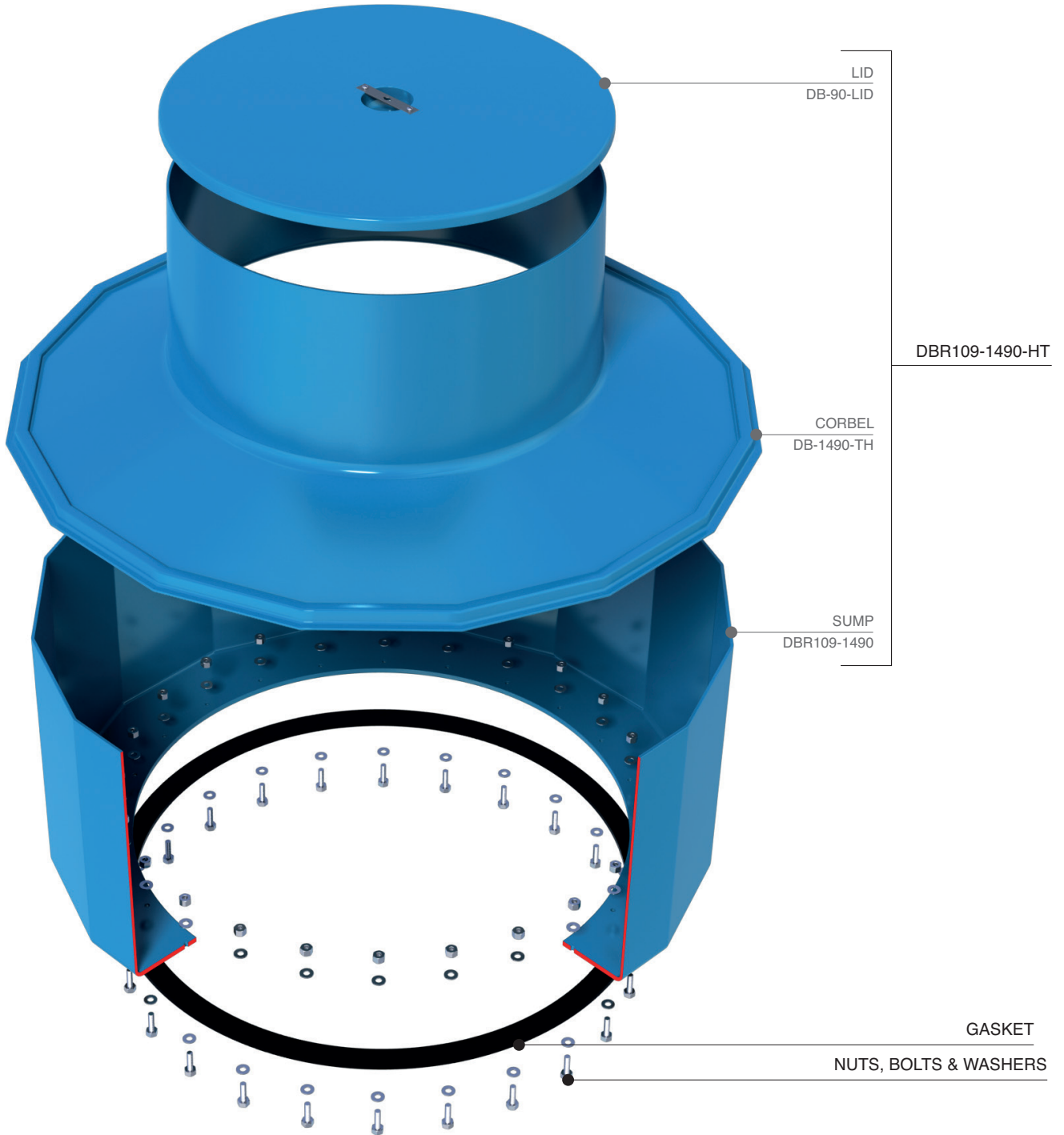


1.4m diameter conductive sump to fit 1.2m round reverse flange, corbel and internal lid. For Hellenic Technical.

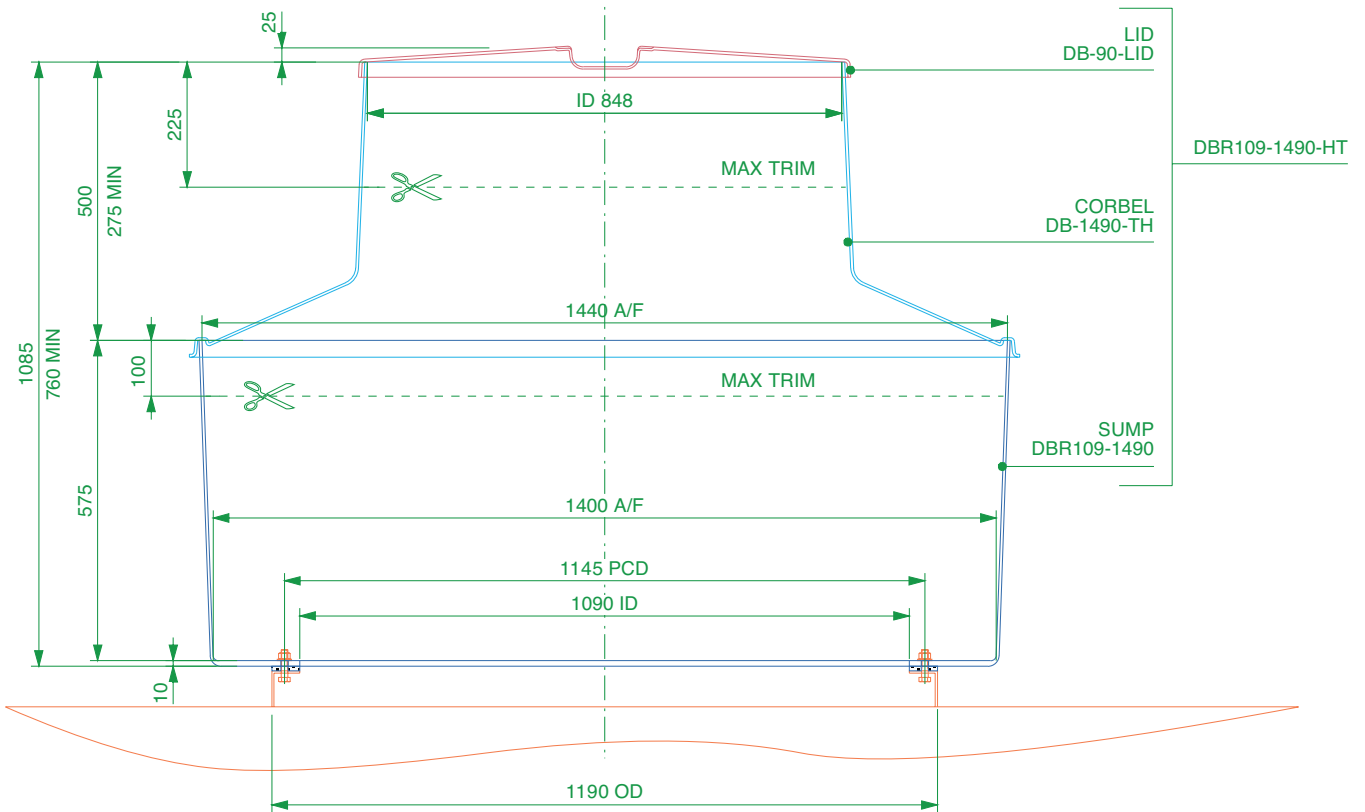
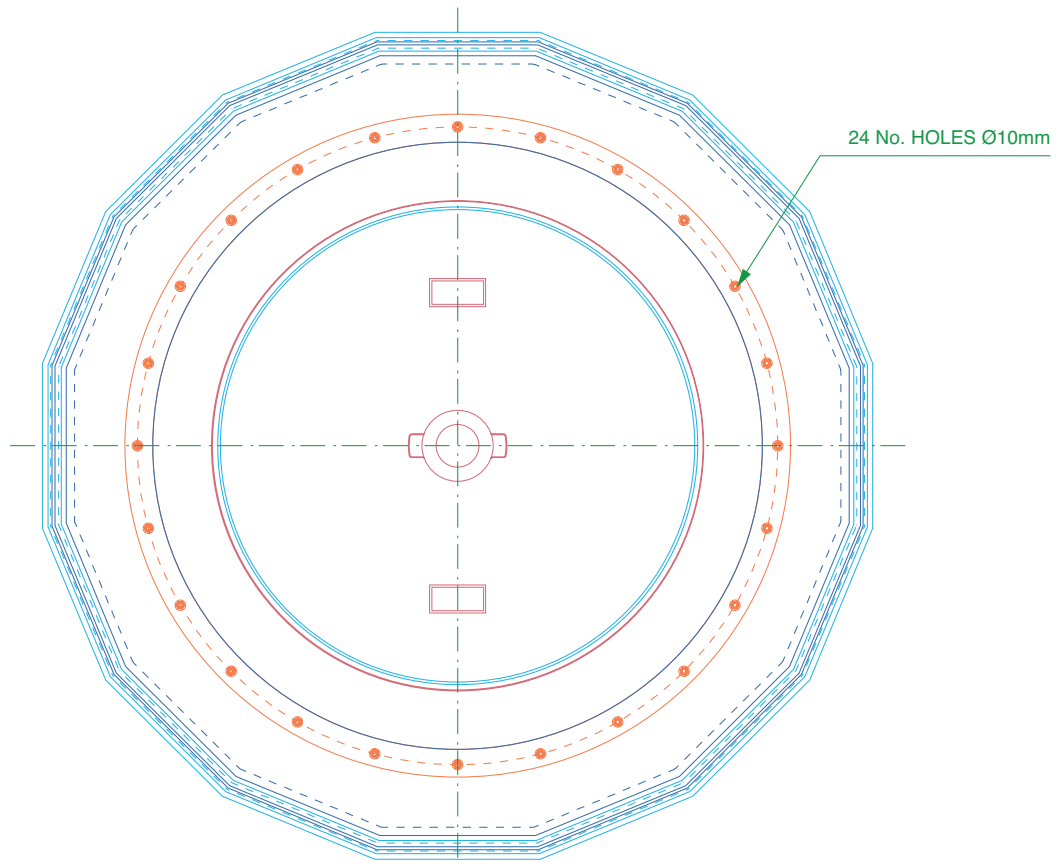
For reference purposes only. This drawing is not a specification. Order against product code only. To enable continuous improvement of our products, the designs and specifications are subject to change without notice.



1.4m diameter conductive sump to fit 1.2m round reverse flange, corbel and internal lid. For Hellenic Technical.

For reference purposes only. This drawing is not a specification. Order against product code only. To enable continuous improvement of our products, the designs and specifications are subject to change without notice.

OPW Lite
PART OF OPW A DOVER COMPANY



1.4m diameter conductive sump to fit 1.2m round reverse flange, corbel and internal lid. For Hellenic Technical.

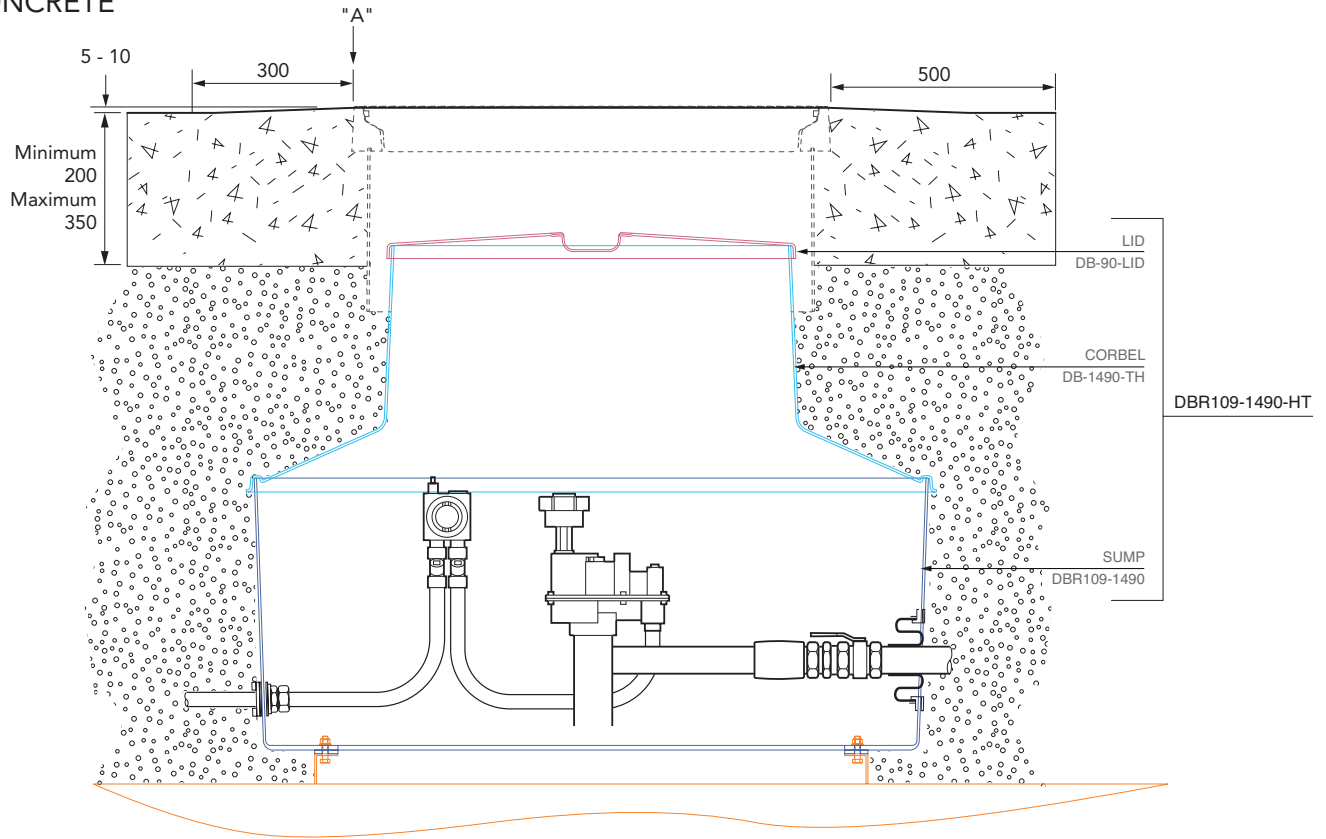
For reference purposes only. This drawing is not a specification. Order against product code only. To enable continuous improvement of our products, the designs and specifications are subject to change without notice.

OPW Lite
 PART OF OPW A DOVER COMPANY

TYPICAL INSTALLATION

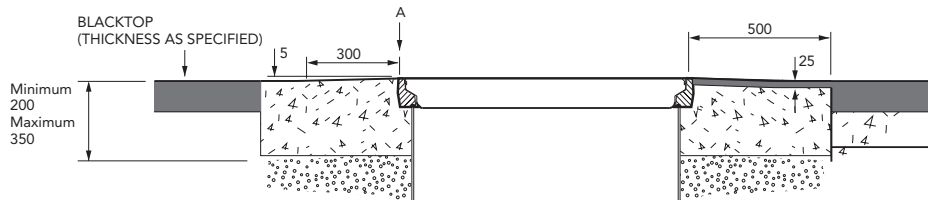
VERY IMPORTANT
 OUTER EDGE "A" OF FRAME SET 5 - 10
 ABOVE GENERAL GRADE AREA WITH
 CONCRETE RAMPED AWAY OVER 300mm.

CONCRETE



ALTERNATIVE INSTALLATION ADVICE

BLACKTOP



1.4m diameter conductive sump to fit 1.2m round reverse flange, corbel and internal lid. For Hellenic Technical.

For reference purposes only. This drawing is not a specification. Order against product code only. To enable continuous improvement of our products, the designs and specifications are subject to change without notice.

OPW Lite
 PART OF OPW A DOVER COMPANY