

## Vapor Recovery Vent

The Civacon T195SVFE Vapor Recovery Vent is designed and tested for temperature range rated at -40°C to 71°C. A new cap design threads into the top of the vent allows for a better seal and corrosion free design. The new design retrofits the current 1985SV and 1986SV. The presence of a locking ring prevents additional leak paths that were created by the bolt on feature of the previous 1985SV. The locking ring allows more freedom for mounting the vent to the normal TTMA bolt pattern. Seals have been improved to be more compatible with chemicals that could potentially come into contact with them.



T195SVFE, Vapor Recovery Vent

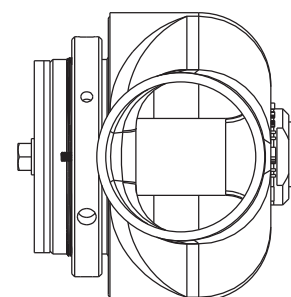
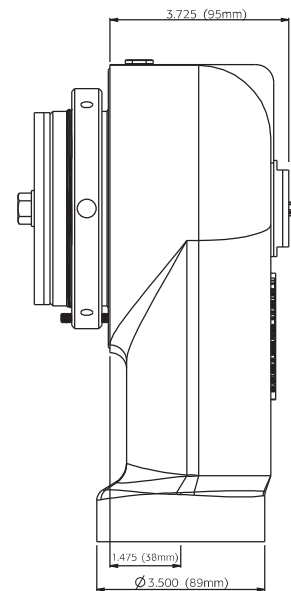
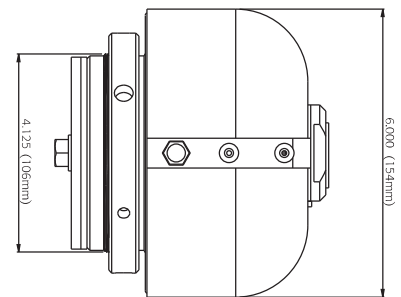
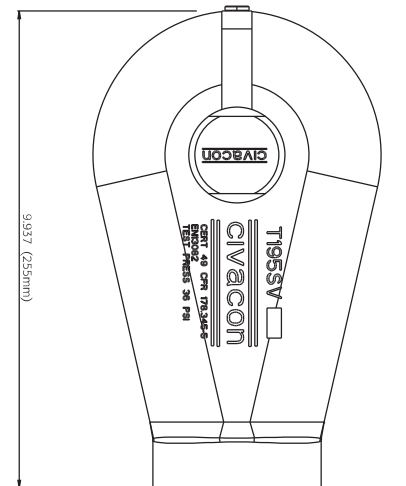


### Features and Benefits

- **Lightweight** aluminum body
- **Valve stroke increased** by 50% (1-1/2" total seat opening)
- **Increased** Spring Tension for a quick, tight closure
- **Dual fluor silicon piston** O-ring seals and a new lower shaft seal and wiper protects the air system
- **New added external** exhaust port for quicker opening and closing of vent's poppet
- **Viton GF** Gaskets and Seals
- **Thread-in** Cap Design eliminates snap ring
- **Improved** flow rating and less pressure drop
- **New rotatable mounting** design eases retrofits
- **Will fit in place of** all TTMA flange mounted vents
- **Single O-ring seal** to manhole plate minimizes potential mounting leak paths of bolted designs

## Specifications

### VAPOR RECOVERY VENT T195SVFE



## General specifications

### T195SVFE

- Pressure Drop 0,5 mbar at 2,400 lpm
- Connections 1/8" BSP
- Weight 2,5 kg

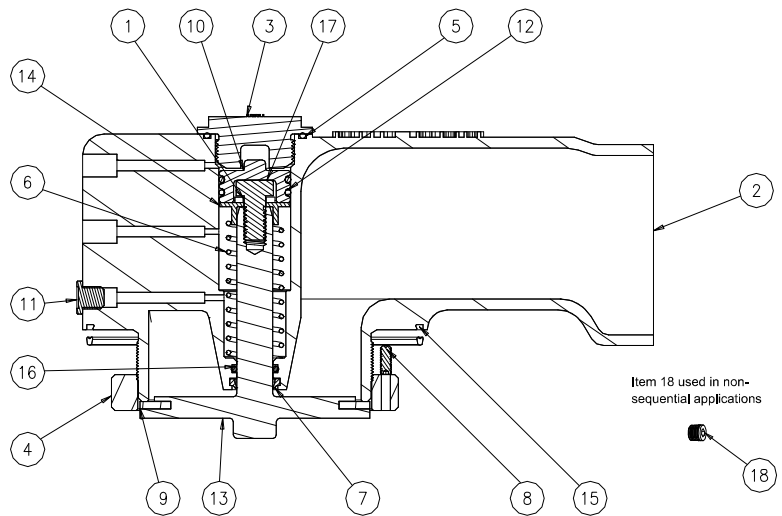
## Spare parts

### REPAIR KIT

T195SVRK

Item	Art. Number	Description	QTY.
1	11672	CAP TRHEADED GLASS FILLED NYLON	1
2	11678	LOCKING RING	1
3	11692 <sup>1</sup>	O-RING 2-129 VITON GF	1
4	11694	SPRING	1
5	11696 <sup>1</sup>	WIPER	1
6	11697	SET SCREW #10-24X 1/2 LG	1
7	11699 <sup>1</sup>	GASKET, VITON GF	1
8	11772 <sup>1</sup>	PISTON	1
9	11776 <sup>1</sup>	O-RING, FLUOROSILICON	2
10	12803	SA-T195SVFE MACHINED BODY	1
11	11985	POPPET MACHINED	1
12	11990 <sup>1</sup>	SPRING GUIDE	1
13	12174 <sup>1</sup>	O-RING	1
14	10681M <sup>1</sup>	O-RING, VITON GF	1
15	12532 <sup>1</sup>	SCREW HH3/8-16X5/8 SS	1

<sup>1</sup> Included in repair kit



## Related products

Art. number	Description
T400-series	Manhole cover assembly
NV4000E	Internal pressure/vacuum vent

## Ordering specifications

Art. number	Description
T195SVFE	Vapor Recovery Vent, 20" Manhole