

Vapor Recovery Adaptor

CIVACON's 4" Vapor Recovery Adaptor is designed to maximize efficiency and service performance of vapor recovery with a minimum pressure drop.



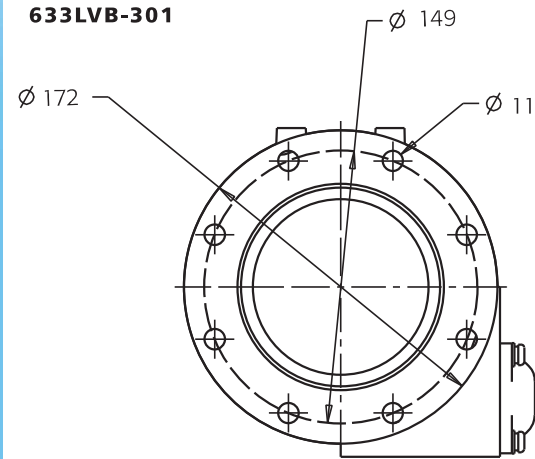
633LVB, Vapor Recovery Adaptor with 301 Air Interlock

Features and Benefits

- In accordance with API RP 1004, ADR and EN13081
- **Lightweight** pressure die-cast construction for maximum strength and weight reduction
- **4" TTMA** mounting flange
- **Nominal size 4" or DIN100**
- **Minimum number of internals** to minimize pressure drop and improve flow rate
- **Bushed running surfaces** for efficient operation
- **Stainless Steel** internals for maximum service life
- **Viton GFLT** seals
- **Compatible** with diesel, bio diesel, gasoline, ethanol and methanol
- **Heavy duty** poppet for smoother opening characteristics
- **Mounting plugs** for model 300/301 air interlock valve
- **Standard equipped** with sight glass and drain plug

Specifications

633LVB-301



General specifications

- Nominal size 4" or DIN100
- Flange 4" TTMA
- Working temp. -40°C to +70°C other temperatures on request
- Weight 3,5 Kg

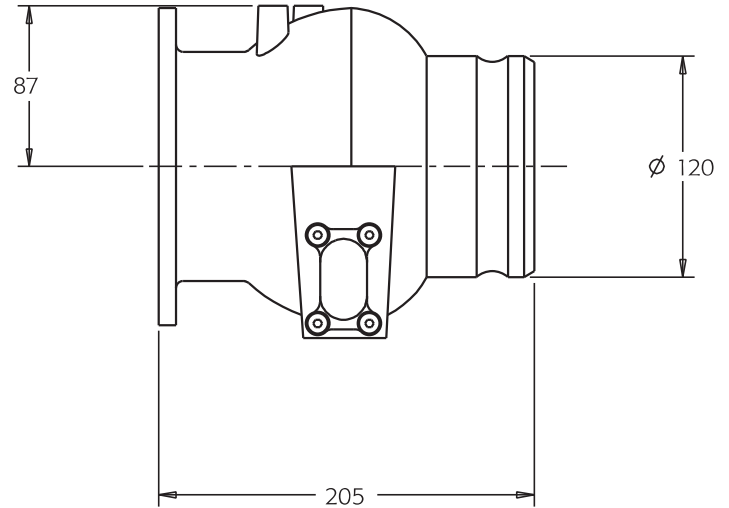
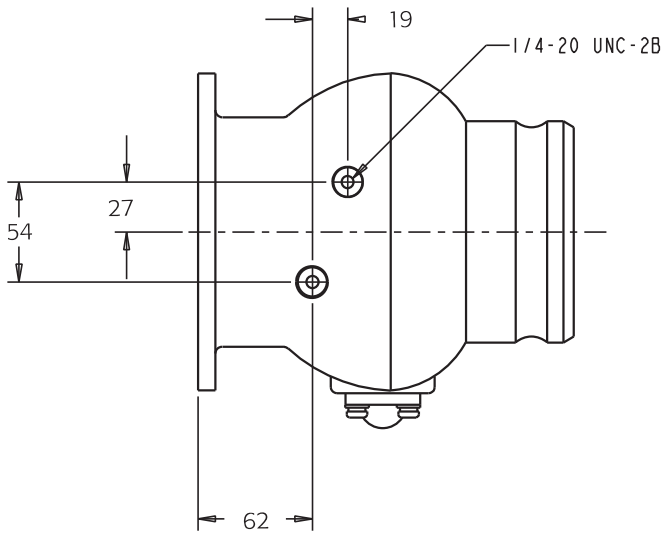
Related products

Art. number	Description
1711T-CA-PL	Duratuff cap with cable
300/301	Air interlock valve (3-way)
T195-series	High flow vapor recovery valve
1995TWD-2B	Vapor line valve
NV4000E	Pressure vacuum vent

Ordering specifications

Art. number	Description
633LVB	4" High flow vapor recovery adaptor equipped with sight glass
633LVB-301	4" High flow vapor recovery adaptor equipped with sight glass and model 300/301 interlock valve





Spare parts

REPAIR KIT

- H20009 Poppet Assembly
- 891BRK Sight Glass Repair Kit

Spare part only supplied as complete kit

Item	Part Nr	Description	QTY
1	11666	BODY, MACHINED	1
2	C02779M	DEFLECTOR	1
3	10068	PLUG, 1/4" NPT	1
4	H20007M	SPRING	1
5	11365M ²	SIGHT GLASS	1
6	H51384M ²	FLOAT BALL	1
7	12490 ²	SCREW	4
8	H20057M	LOCK WASHER	4
9	H20312M	WASHER	4
10	H51437M ²	O-RING	1
11	H08841RA ¹	SHAFT	1
12	C51410A ¹	POPPET, MACHINED	1
13	H20750M ¹	VITON GASKET	1
14	H09193M ¹	COTTER PIN	1
15	301	INTERLOCK VALVE	1

1-Included in H20009. 2-Included in 891BRK

