

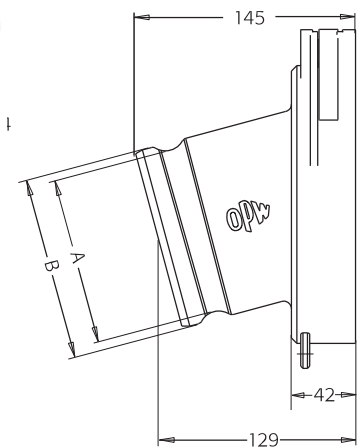
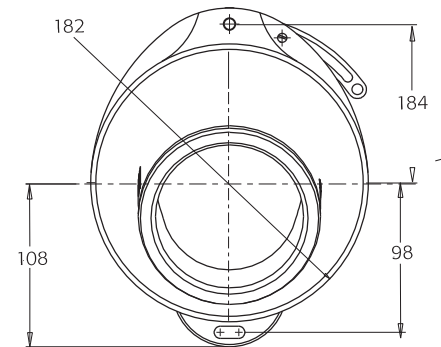
Gravity Coupler

The 876 Gravity Coupler optimizes the connection between 4" API Adaptors and 3" or 4" hose connections, ensuring safe and fast unloading. The 876 has been designed with an over center CAM for easy connection.



Specifications

876-SERIES



	A	B
3"	72,1	91,4
4"	109,2	119,6

Features and Benefits

- **Designed in accordance** with API RP 1004, ADR and EN13083
- **Pressure die-cast** lightweight aluminium construction for maximum strength and weight reduction
- **Innovative design** for:
 - improved high-flow rates
 - minimum pressure drop
 - complete draining capacities to prevent contamination
- **Compatible with** diesel, bio diesel, gasoline, ethanol and methanol
- **Viton GFLT** seal
- **Over Centre CAM** - holds on adaptor top & bottom
- **No wear** of API adaptor surface
- **15° angle** for improved unloading
- **Single piece** 3" and 4" CAM and Groove
- **One hand** operation, simple robust mechanism

Related products

Art. number	Description
891-series	4" API Bottom Loading Adaptor

Ordering specifications

Art. number	Description
876C-AL40	4" Gravity Drop Adaptor with 4" male kamlok outlet
876C-AL4030	4" Gravity Drop Adaptor with 3" male kamlok outlet

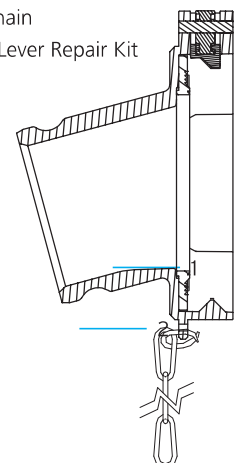
General specifications

- Nominal size 4" or DIN100
- Working temp. -40°C to +70°C
other temperatures on request
- Weight 3" kamlok outlet 1,4 Kg
4" kamlok outlet 1,8 Kg

Spare parts

REPAIR KIT

H71271	Buna-N seal
10919	Kit Chain
11474	Cam Lever Repair Kit



All dimensions are in mm