

2-Wire Optic Bottom Sensors

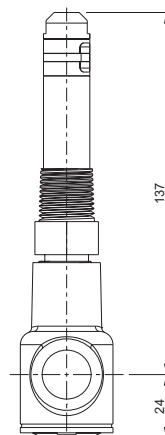
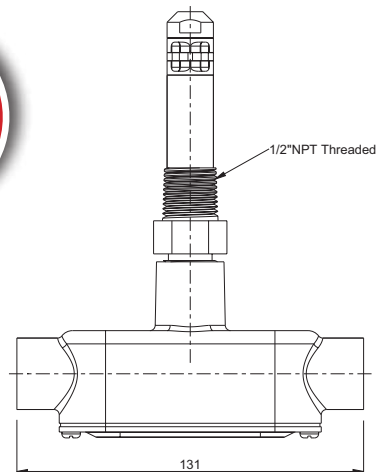
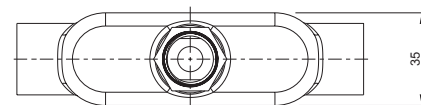
The CIVACON'S 2-Wire Optic Bottom Sensors are designed for compartment empty detection of liquid petroleum products. Not only are they instantly permissive and specially designed for optimal communication with our Rack Monitors (conforming to EN13922), but they are also compatible with all other brands of Rack Monitors which conforms to EN13922 standards.



Specifications

5000E

5030E



Features and Benefits

- **In accordance with:**
 - ATEX
 - API RP 1004
- **Certified** for use in zone 0
- **Intrinsically safe** signals
- Instant permissive signal (no warm up time)
- **Continuously checking** of system operation such as wiring, sockets and sensor itself
- **Temperature** range 40C° to +70°C
- **Immediate system shutdown** (250 ms) in case of compartment 'wet' detections
- **Immediate re-permit** in case of compartment 'dry' detection
- **Approvals** ATEX + IECeX & FM

General specifications

Bottom Sensor

- Zone specification Zone 0
- Working Temp. -40°C to +70°C
- Signals Intrinsically safe
- Weight 320 g

Related products

Art. number	Description
4103-series	6-Pin Optical Socket
4403-series	10-Pin Optical Socket
2100E-L30	30m 5-Wire straight cable conform EN13922
EL00001	Ground Bolt
K1-1112-series	5-Wire optic overfill prevention sensor
1551-series	2-Wire optic quick start overfill prevention sensor
5350E	2-Wire optic overfill sensor (replaces 1551-0018B)
5650E	2-Wire optic overfill sensor (replaces 1051-0018B)
3205E	On-board Monitoring System
7215-7215	30m 10-Wire straight cable, 45 meter (150 FT)

Ordering specifications

Art. number	Description
1000RB	Optic sensor, rom retain sensor with bottom inline housing