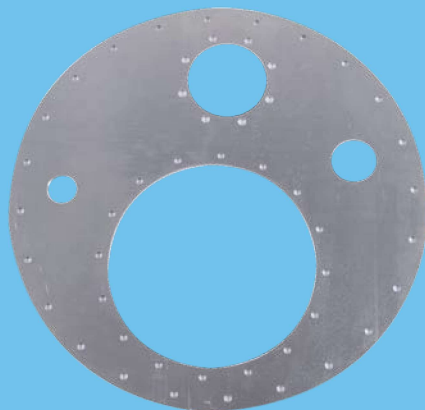


Manhole Cover T400-series

CIVACON T400 manhole-cover is designed to achieve optional customer flexibility for manhole-cover applications.

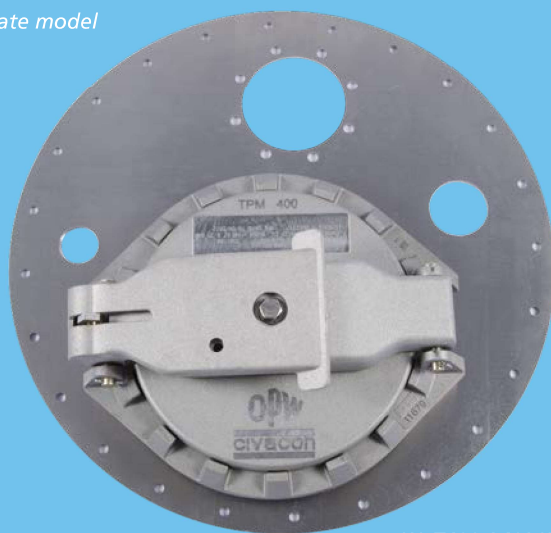
The T400 is composed from a Pressure-activated Fill-cover for additional tanker security and separate base-cover to meet specific requirements.



H71521, Base Plate model



T400-PFC01A, Pressure Activated Fill-cover



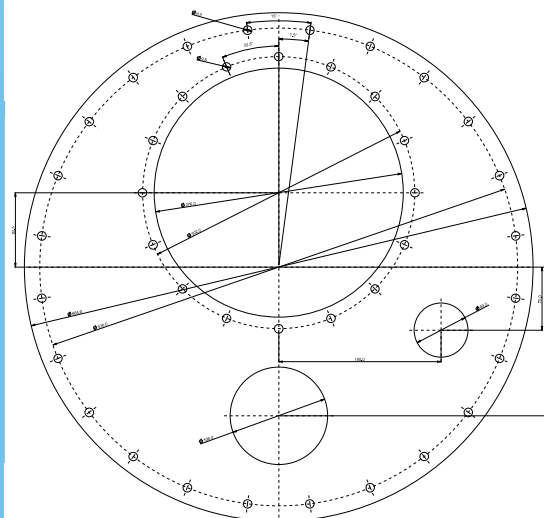
K1-T400-240217GJ

Features and Benefits

- **Complies** with EN13314 (fill-cover) and EN13317 (base-cover)
- **Pressure and vacuum vent** fitted as standard for tank breathing
Various ratings available to suit operational requirements
Two vents may be fitted if required
- **Spring-loaded Pressure-activated fill cap** provides emergency fire engulfment and venting
- **Emergency venting** capacity 7000m³/h air at 350mb
- **Automatic sealing of the P/V vent** in a roll over situation
- **20" base-plate** for access compliance with ADR
- **Two-stage opening** allows safe release of residual compartment pressure before fully opening fill cap
- **Lockable** - available with key lock
- **Secure 24-bolt fixing** as required by ADR
- **Lightweight pressed aluminium base-plate** material complies with EN13094
- **Security facility** for padlock, wire or plastic seal

Specifications

BASE PLATE EXAMPLES



H71523, Base Plate model



General specifications

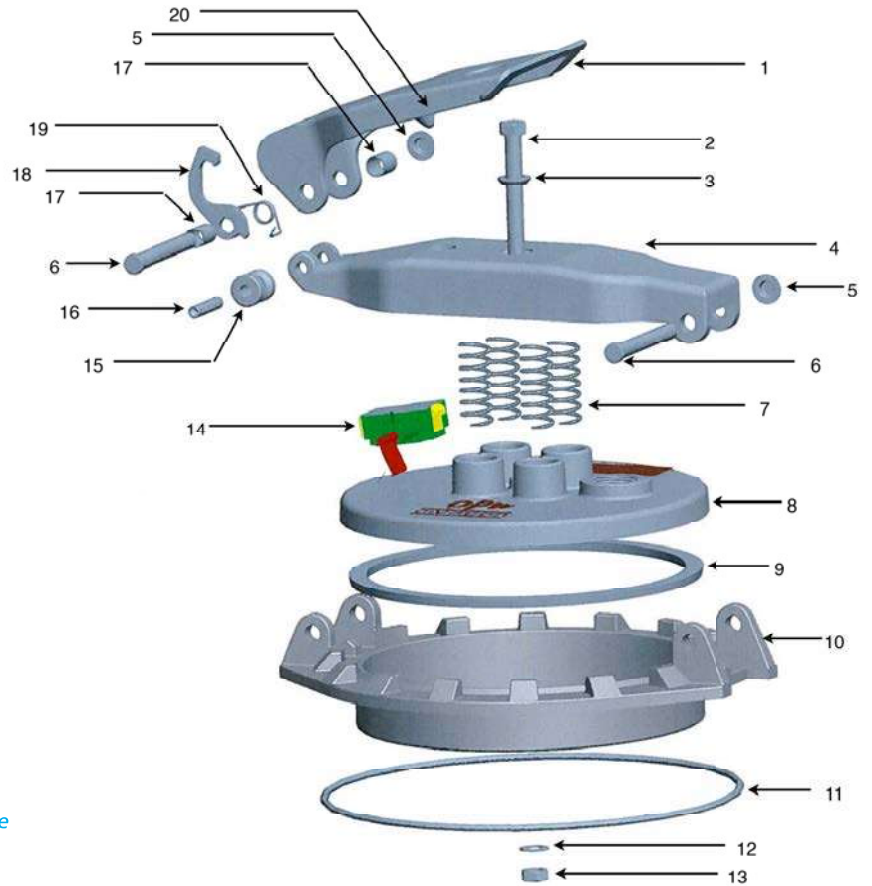
- Base plate - Standard 20"
- Customer specified (material, hole pattern, dimension)
- Weight 20" base plate Aluminium 2,8 Kg
Carbon steel 7,8 Kg
Stainless Steel 7,9 Kg
- Weight PAF 6,7 Kg

All dimensions are in inches

Manhole Cover T400-series

Spare parts

Item	Art. number	Description	QTY
1	11733	Latch	
2	11735	Screw	
3	11737	Swivel Plug	
4	11731	Strong Back	Obsolete
5	1020	Pal Nut	
6	4679	Hinge Pin	
7	11728	Spring	
8	11682	Fill Lid	
9	12022	Cover Seal	
10	11680	Frame	
11	11740	O-Ring	
12	9874	Seal Washer	
13	1926	Nut	
14	11979	Lock Assembly (Optional)	
15	11730	Latch Roller	
16	11732	Roller Pin	
17	11743	Latch Bushing	
18	11736	Latch Hook	
19	11729	Latch Spring	
20	11952	Lock Pin (Optional)	



Spare part only supplied as complete kit.

For safety only qualified installers, are allowed to change pressurized parts.

Related products

Art. number	Description
T195-series	3" Vapor recovery valve
LC01013	Dip tube assembly, L= 2 m
6836	Gasket

Ordering specifications

Art. number	Description
T400-PFC01A	Pressure activated fill-cover (PAF) with lock
K1-T4002402...	All types

