

API Tank Truck Adaptor

CIVACON's API bottom loading adaptors are precisely engineered to match standard loading couplers and increase service performance.



891BA, API Adaptor



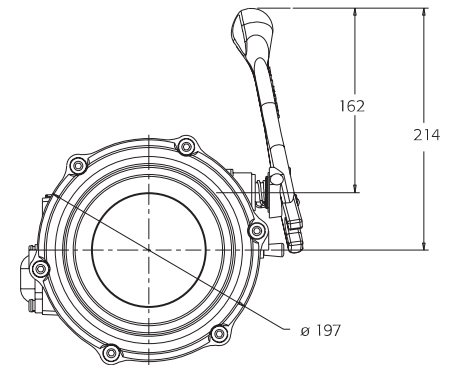
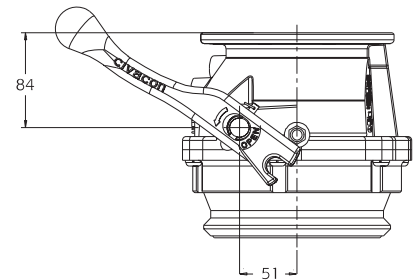
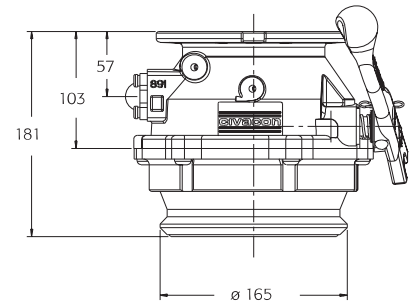
891NB, API Adaptor

Features and Benefits

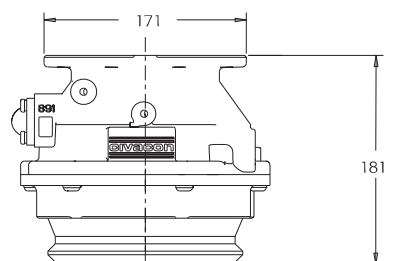
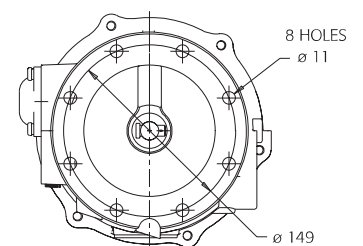
- **Designed in accordance** with API RP 1004 and EN13083
- **Two piece** lightweight aluminium construction for maximum strength and weight reduction
- **4" TTMA** mounting flange
- **Nominal size 4"** or DIN100
- **Rotatable** hard-coated nose piece for maximum service life
- **Flat bottom** ensures complete drainage
- **Minimum number of internals** to minimize pressure drop and improve flow rate
- **Bushed running surfaces** for efficient operation
- **Stainless Steel** internals for maximum service life
- **Viton GFLT** seals
- **Compatible** with diesel, bio diesel, gasoline, ethanol and methanol
- **Heavy duty** poppet with an acetal resin bearing for smoother opening characteristics
- **Easy-grip** aluminium lever
- **Mounting plugs** for model 300/301 air interlock valve
- **Grease nipple** on handle for easy maintenance

Specifications

891BA API ADAPTER OPENABLE



891NB API ADAPTER NON-OPENABLE



All dimensions are in mm

Spare parts

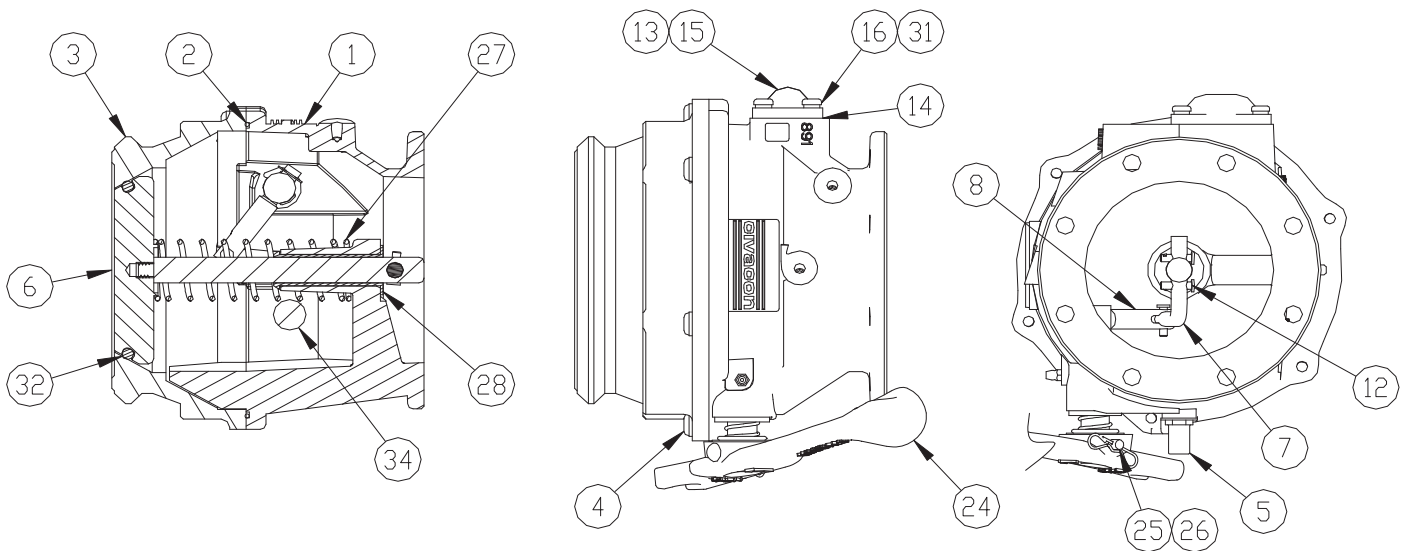
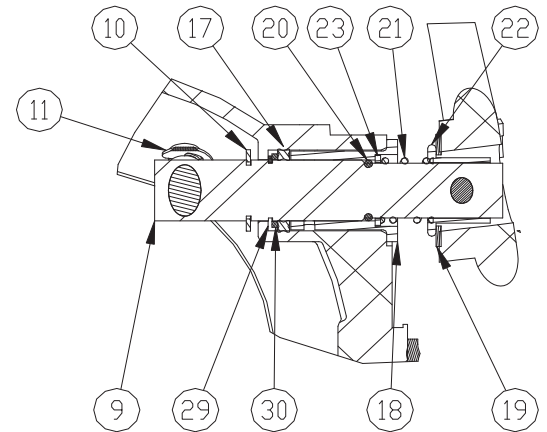
REPAIR KIT

891HRK	Handle repair kit
891ORK	O-Ring Repair Kit
891SRK	Shaft Repair Kit
891BRK	Sight glass repair kit for 891-897-861

Spare part only supplied as complete kit

Item Part Nr	Description	QTY	Item Part Nr	Description	QTY
1 11549	BODY, MACHINED	1	18 11536 ³	BEARING	1
2 11905 ²	O-RING	1	19 10840 ^{1,3}	NYLON WASHER	1
3 11550	ADAPTOR FACE	1	20 H06924M ^{2,3}	O-RING	1
4 12514	BUTTO HEAD CAP SCREW	6	21 H20182M ^{1,3}	SPRING	1
5 12489	STOP PIN	1	22 11490 ^{1,3}	HUB	1
6 11850	POPPET	1	23 H20199M ³	NYLON WASHER	1
7 12331	LINK, POPPET/HANDLE	1	24 11460 ¹	HANLDE	1
8 12330	LINK, SHAFT	1	25 H08901M ^{1,3}	FULCRUM PIN	1
9 11543 ³	SHAFT	1	26 11623 ^{1,3}	BOWTIE CLIP	1
10 11661	E-CLIP	1	27 11664	SPRING	1
11 11662	E-CLIP	1	28 11665	BEARING	1
12 11618	CLEVIS PIN	3	29 11703 ³	RETAINING RING	1
13 11365M ⁴	SIGHT GLASS	1	30 11704 ³	WASHER	1
14 H51437M ⁴	O-RING	1	31 H20057M	LOCK WASHER	4
15 H51384M ⁴	FLOAT BALL	1	32 H20058M ²	O-RING	1
16 12490 ⁴	SCREW	4	33 120491	PLUG, 3/8" NPT	1
17 11705 ^{2,3}	QUAD RING	1			

1-Included in 891HRK, 2-Included in 891ORK, 3-Included in 891SRK, 4-Included in 891BRK



General specifications

- Nominal size 4" or DIN100
- Maximum flow rate 2.500 litre/minute
- Seal Viton GFLT
- Working temp. -40°C to +70°C
other temp. on request
- Weight

891BA	5,1 Kg
891NB	4,2 Kg
891N	4,2 Kg

Ordering specifications

Art. number	Description
891A	API Adaptor with Handle
891BA	4" API bottom loading adaptor with aluminium handle and sight glass
891NB	4" API non-openable bottom loading adaptor with sight glass
891N	4" API non-openable bottom loading adaptor

Related products

Art. number	Description
300/301	Air interlock valve
875-AL40	API dust cap
11240	4" TTMA sight glass
11293M	Guard bar interlock
GASK0052	4" TTMA gasket
FAL0009	4" TTMA flange aluminium
FST0025	4" TTMA flange steel