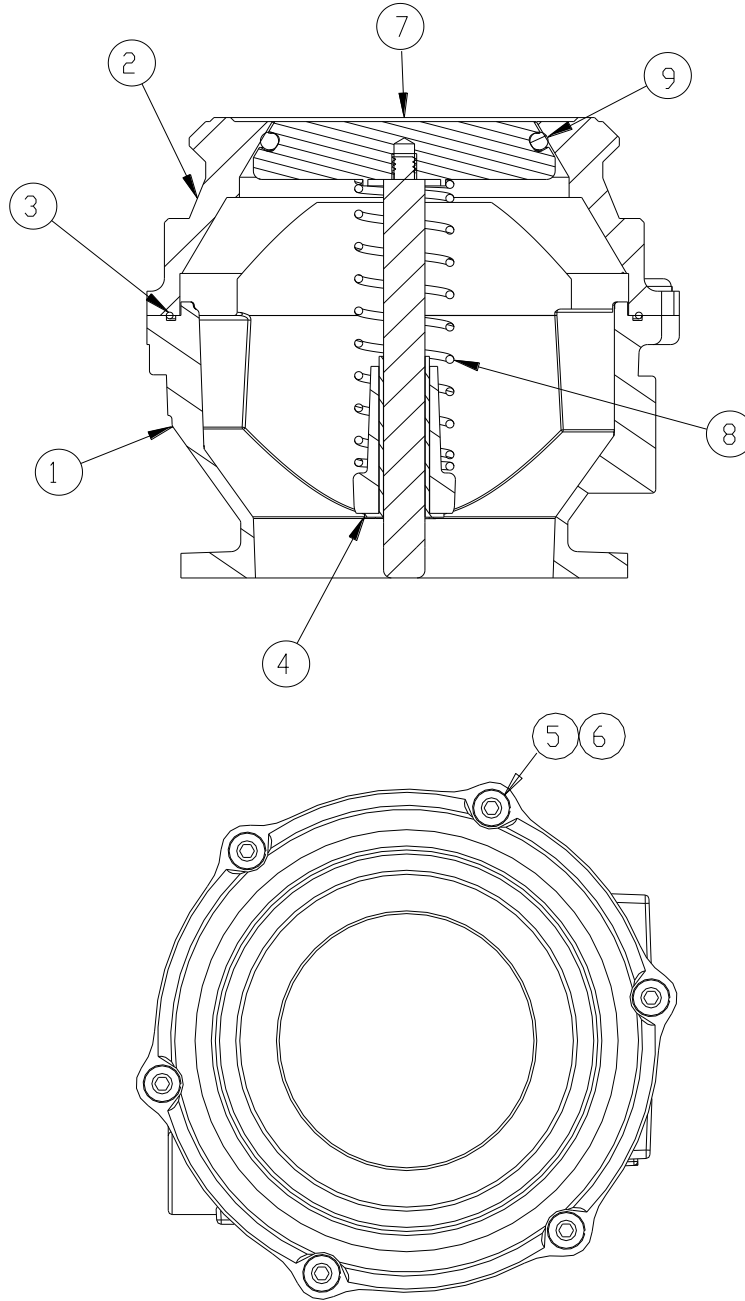




891N Bottom Loading Adaptor



PARTS BREAK DOWN

| ITEM | PART NUMBER | DESCRIPTION | QTY. |
|------|-------------|----------------|------|
| 1 | 11748 | BODY, MACHINED | 1 |
| 2 | 11550 | ADAPTOR FACE | 1 |
| 3 | 11905 | O-RING | 1 |
| 4 | 11665 | BEARING | 1 |
| 5 | 10806M | LOCK WASHER | 6 |

| ITEM | PART NUMBER | DESCRIPTION | QTY. |
|------|-------------|---------------|------|
| 6 | 11534 | SCREW | 6 |
| 7 | 11850 | POPPET | 1 |
| 8 | 11664 | SPRING | 1 |
| 9 | H20058M | POPPET O-RING | 1 |