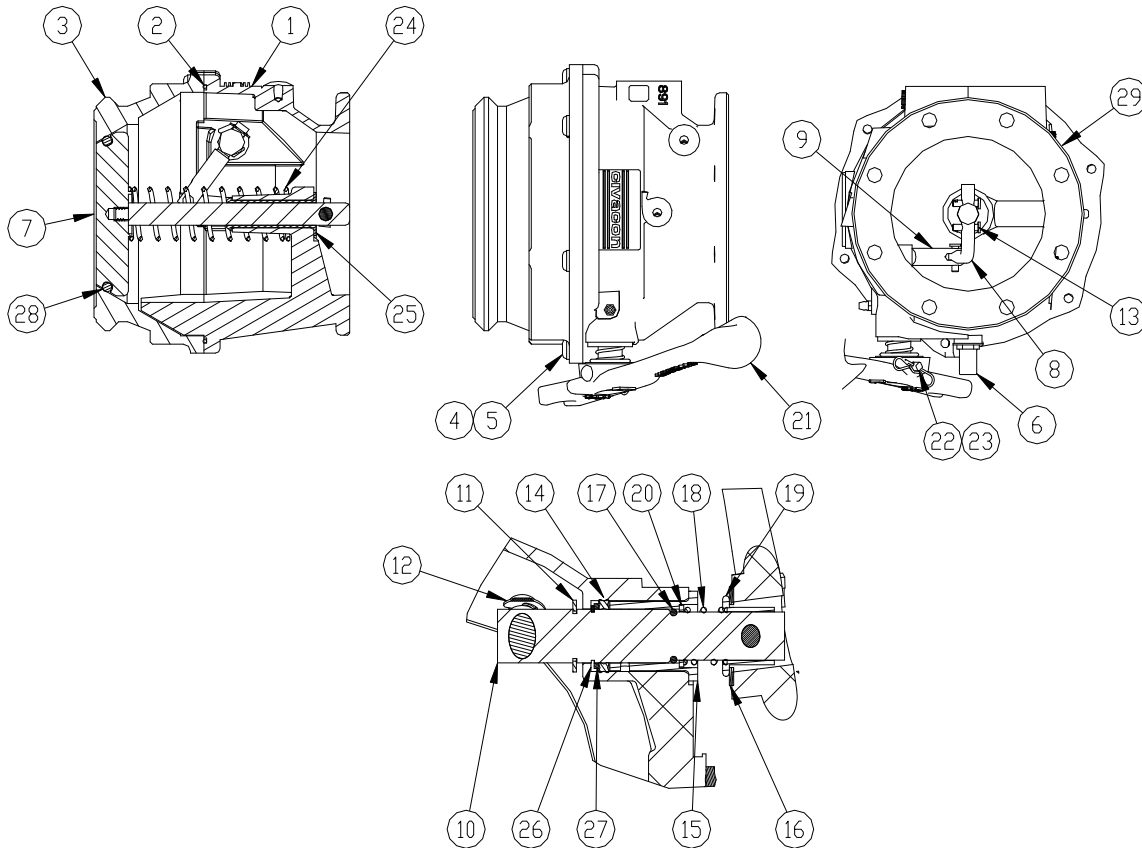




891A Bottom Loading Adaptor



PARTS BREAK DOWN

ITEM	PART NUMBER	DESCRIPTION	QTY.
1	11750	BODY, MACHINED	1
2	11905 ²	O-RING	1
3	11550	ADAPTOR FACE	1
4	10806M	LOCK WASHER	6
5	11534	SCREW	6
6	H20051M	STOP PIN	1
7	11850	POPPET	1
8	11545	LINK, POPPET/HANDLE	1
9	11544	LINK, SHAFT	1
10	11543 ^{1,3}	SHAFT	1
11	11661	E-CLIP	1
12	11662	E-CLIP	1
13	11618	CLEVIS PIN	3
14	11705 ^{1,2,3}	QUAD RING	1
15	11536 ^{1,3}	BEARING	1
16	10840 ^{1,3}	NYLON WASHER	1
17	H06924M ^{1,2,3}	O-RING	1

ITEM	PART NUMBER	DESCRIPTION	QTY.
18	H20182M ^{1,3}	SPRING	1
19	11490 ^{1,3}	HUB	1
20	H20199M ^{1,3}	NYLON WASHER	1
21	11460 ¹	HANDLE	1
22	H08901M ^{1,3}	FULCRUM PIN	1
23	11623 ^{1,3}	BOWTIE CLIP	1
24	11664	SPRING	1
25	11665	BEARING	1
26	11703	RETAINING RING	1
27	11704 ^{1,3}	WASHER	1
28	H20058M ²	O-RING	1
29	12080	PLUG, 3/8" NPT	1

REPAIR KITS	
891HRK	HANDLE REPAIR KIT
891ORK	O-RING REPAIR KIT
891SRK	SHAFT REPAIR KIT

1—Included in 891HRK, 2—Included in 891ORK, 3—Included in 891SRK