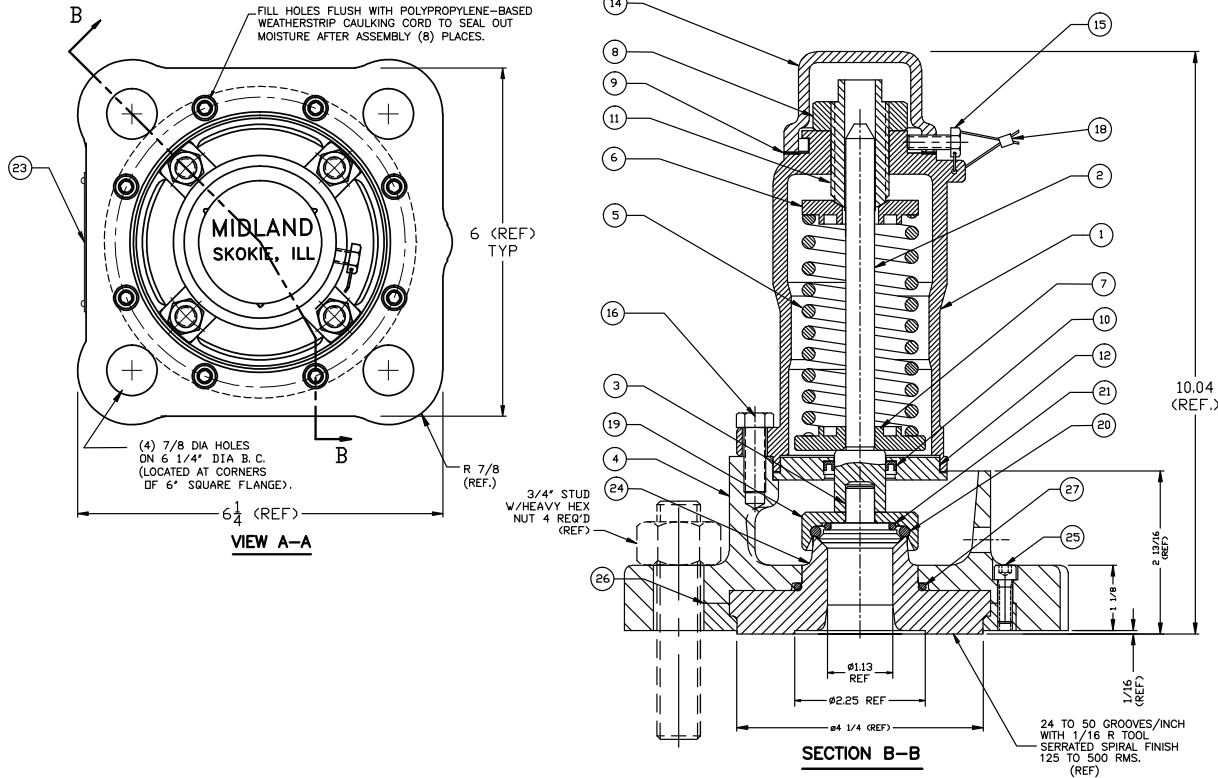


Model A-14167

Pressure Relief Valve



Valve Part Number	Item #3	Item #12	Item #24	Material	Pressure Setting (PSIG)	Flow Rate (SCFM Air)	Spring P/N	Nameplate P/N
A-14167-KY	14-3-KY	14-12-KY	14-240-KY	KYNAR (PVDF)	165	3612	15-225-SS	14-167-SS
A-14167-PK	14-3-PK	14-12-PK	14-240-PK	PEEK	165	3612	15-225-SS	14-167-SS
A-14167-RY	14-3-RY	14-12-RY	14-240-RY	RYTON R5 (PPSR5)	165	3612	15-225-SS	14-167-SS
A-14167-UL	14-3-UL	14-12-UL	14-240-UL	ULTEM (PEI)	165	3612	15-225-SS	14-167-SS

Item	Qty	Part Name	Material	Part No.
1	1	Top Guide (1)	Stainless Steel	14-101-SSTF
2	1	Stem	Hastelloy B/ML	14-2-XB
3	1	Plug (3)	SEE TABLE	SEE TABLE
4	1	Body (1)	Stainless Steel	14-40-MOL
5	1	Spring	Stainless Steel	SEE TABLE
6	1	Follower	Stainless Steel	14-6-SS
7	1	Guide	Stainless Steel	14-7-SS
8	1	Top Nut	Stainless Steel	15-8-SS
9	1	Top Gasket	Viton	15-9-VA (5)
10	1	Shaft Seal	PTFE	17-10-TF
11	1	Adjusting Screw (6)	Stainless Steel	15-11-SS
12	1	Seal Retainer (3)	SEE TABLE	SEE TABLE
13				
14	1	Cap (1)	Stainless Steel	14-14-SSTF
15	1	Seal Screw (1)	Carbon Steel	15-15-CSPTFE
16	4	Cap Screw (2)	316 Stainless	15-160-MO
17				
18	1	Wire Seal	SS Wire, Lead Seal	22-72-PB
19	1	Retainer	Hastelloy B	14-19-HB
20	1	Seat O-Ring	Viton	10-10-VG (5)
21	1	Plug O-Ring	Viton	10-11-VG (5)
22				
23	1	Nameplate	Stainless Steel	SEE TABLE
24	1	Body Insert (3)	SEE TABLE	SEE TABLE
25	8	Socketed Head Cap Screw	316 Stainless Steel (2)	14-250-MOTF
26	1	Ring (1)	Stainless Steel	14-260-SS
27	1	O-Ring (-226)	Viton	14-27-VA (5)

NOTE: (1) Green ETFE Coated Per DRG 14-142
 (2) Black PTFE Coated
 (3) Alternate Material Available.
 (4)
 (5) Alternate Materials Available
 (6) Use 15-116-SS Screw For A-14167 Valve