

Model A-7300 / A-7340

3" Ball Valve, Full Port

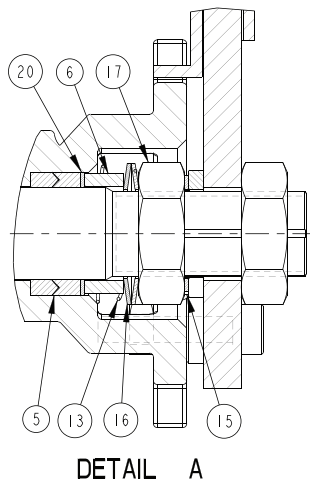
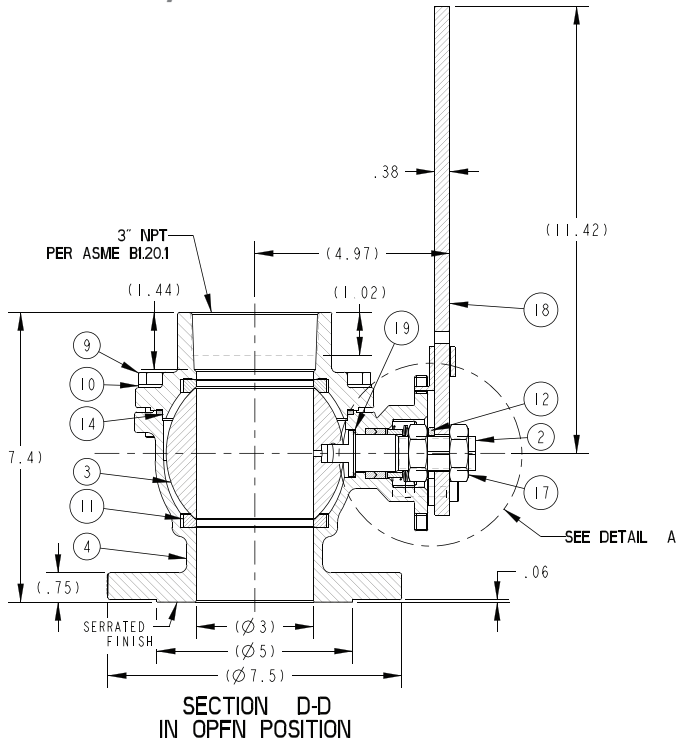


Technical Specifications

- Body cap end is NPT threaded which pairs with the OES Kamlok / Kamvalok options
- Available in a 2" and 3" configuration, as well as Stainless Steel and Carbon Steel
- Virgin PTFE seals
- Flange X Threaded Design - Great for connecting an adapter directly to valve
- Full-Bore Design - For unrestricted higher flow rates for quicker unloading
- 6" & 7.5" Diameter Flange - For easy replacement of competitor valve

Model A-7300 / A-7340

3" Ball Valve, Full Port



| Item | Qty | Part Name | A-7300 | | A-7340 | |
|------|-----|-----------------------|-------------------------|-------------|-------------------------|-------------|
| | | | Material | Part No. | Material | Part No. |
| 1 | 1 | End Cap | ASTM A216-WCB | 7300-1-CS | ASTM A351 CF8M | 7340-1-MO |
| 2 | 1 | Stem | ASTM A564 17-4PH H1150D | 7300-2-SS | ASTM A564 17-4PH H1150D | 7300-2-SS |
| 3 | 1 | Ball | ASTM A351 CF8 | 7300-3-SS | ASTM A351 CF8M | 7340-3-MO |
| 4 | 1 | Body | ASTM A216-WCB | 7300-4-CS | ASTM A351 CF8M | 7340-3-MO |
| 5 | 1 | Packing Seal | PTFE | 7300-5-TF | PTFE | 7300-5-TF |
| 6 | 1 | Spacer | AISI 304 | 7300-6-SS | AISI 304 | 7300-6-SS |
| 7 | 1 | Socket Head Cap Screw | AISI 304 | 7340-7-SS | AISI 304 | 7340-7-SS |
| 8 | 1 | Nut | AISI 304 | 7340-8-SS | AISI 304 | 7340-8-SS |
| 9 | 6 | Hex Cap Screw | AISI 304 | 7340-9-SS | AISI 304 | 7340-9-SS |
| 10 | 6 | Lockwasher | AISI 304 | 7240-10-SS | AISI 304 | 7240-10-SS |
| 11 | 2 | Seal, Ball | VIRGIN PTFE | 7300-11-VTF | VIRGIN PTFE | 7300-11-VTF |
| 12 | 1 | Lockwasher | AISI 304 | 7300-12-SS | AISI 304 | 7300-12-SS |
| 13 | 1 | Grounding Spring | AISI 301 | 7300-13-SS | AISI 301 | 7300-13-SS |
| 14 | 1 | Gasket | PTFE | 7300-14-TF | PTFE | 7300-14-TF |
| 15 | 1 | Nut Lock | AISI 304 | 7300-15-SS | AISI 304 | 7300-15-SS |
| 16 | 2 | Disc Springs | AISI 301 | 7300-16-SS | AISI 301 | 7300-16-SS |
| 17 | 2 | Packing Nut | AISI 304 | 7300-17-SS | AISI 304 | 7300-17-SS |
| 18 | 1 | Handle with Cover, RH | ALLOY STEEL | 7300-181-AS | ALLOY STEEL | 7300-181-AS |
| 19 | 1 | Thrust Washer | PTFE | 7300-19-TF | PTFE | 7300-19-TF |
| 20 | 1 | Packing Protector | CARBON 25% PTFE | 7300-20-TF | CARBON 25% PTFE | 7300-20-TF |
| 21 | 1 | Spacer | AISI 304 | 7340-21-SS | AISI 304 | 7340-21-SS |
| 22 | 1 | Name Plate | STAINLESS STEEL | 7200-22-SS | STAINLESS STEEL | 7240-22-SS |
| 23 | 2 | Drive Screw | STAINLESS STEEL | 763-11-SS | STAINLESS STEEL | 763-11-SS |

NOTE: (*) - Alternate Materials Are Available