

Model A-728A-SS

2" Angle Valve

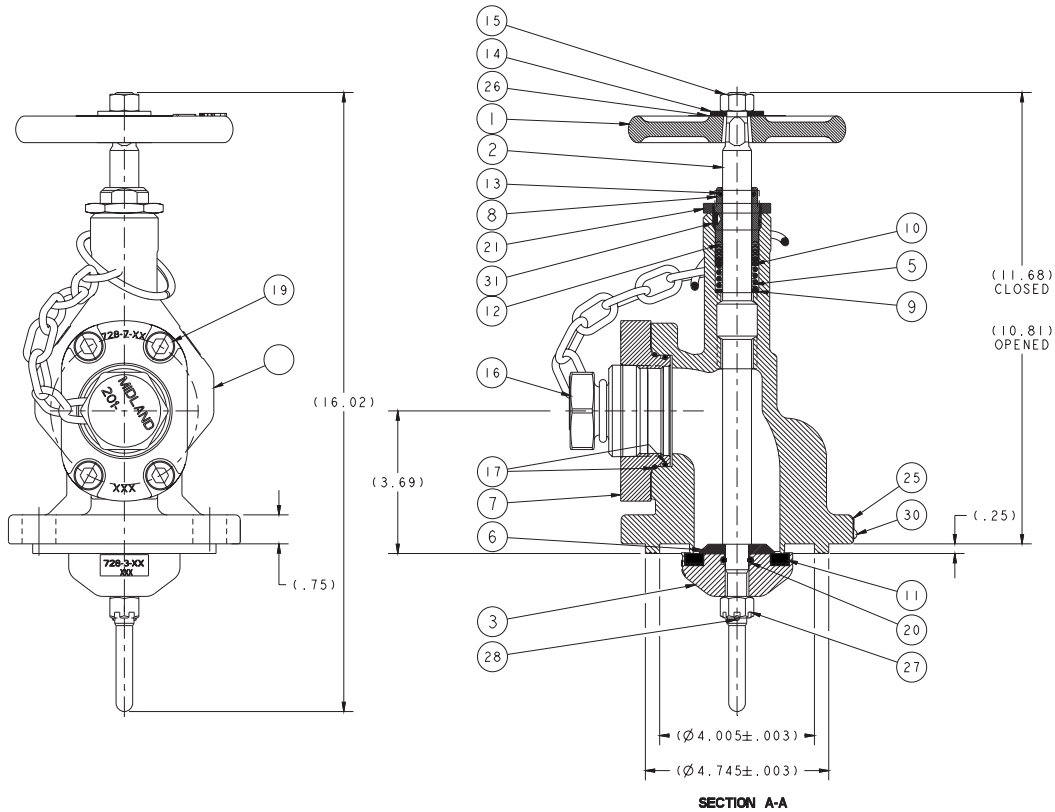


Technical Specifications

- Hardened 17-4PH stainless actuating shaft
- Maximum Operating Pressure: 600 PSIG
- Maximum Operating Temperature: 350°F (Limited by elastomeric seals)
- Flow coefficient (Cv) w/ A-183: 60.6 (@ wide open position)
- Handwheel Rotation: Clockwise to close produces upward motion of Stem
- Handwheel Closing Torque: 20-25 ft-lb (Max. Torque: 80 ft-lb limited by Shear Feature)
- Mounting flange: 6" square X 0.75" thick with (4) 7/8" holes
- Mounting Studs: (4) 3/4" X 3" Long (Min.); torque to ~150 ft-lb depending on gasket
- Tongue Dimensions: 4.745" OD X 4.005" ID X 0.250" (0.125" thick gasket required. Not furnished with valve)
- Stainless Steel construction

Model A-728A-SS

2" Angle Valve



Item	Qty	Part Name	Material	Part No.
1	1	Handwheel	Aluminium	720-1-AL
2	1	Stem	Stainless	728-2-SS
3	1	Seal Retainer	Stainless (7)	728A-3-SS-PA
4	1	Body	Stainless (7)	728-4-SS-PA
5	1	Spring	Stainless	720-5-SS
6	1	Retainer Washer	Stainless	728-6-SS
7	1	Outlet Flange	N60	728-7-N60
8	1	Packing Screw w / Insert	N60	720-8-N60
9	1	Packing Washer Top	Stainless	720-93-SS
10	1	Packing Washer Bottom	Stainless	720-91-SS
11	1	Seat Seal	Teflon	724-10-TF
12	5	Packing	Teflon	720-11-TF
13	1	Stem Seal	Buna N*	720-12-BN
14	1	Washer	Steel	308-12-CS
15	1	Handwheel Nut	Stainless	10-15-SS
16	1	Outlet Plug & Chain	Steel, Nickel Plated	720-16-CSNI
17	2	Inner O-Ring Outlet	Buna N*	728-162-BN
18				
19	4	Bolt	Stainless	728-15-SS
20	1	Retainer O-Ring	Buna N*	728-166-BN
21	1	Packing Lock Nut	Stainless	724-21-SS
22				
23				
24				
25	1	Name Plate	Stainless	728A-22-SS
26	1	Instruction Plate	Plastic	728-26-PS
27	1	Slotted Nut	N-60	728-171-N60
28	1	Retaining Pin	Stainless	728-18-SS
29	1	Placard (Not Shown)	Plastic	728-261-PL
30	2	Drive Screw	Stainless Steel	763-11-SS
31	1	Packing Insert	PTFE	713-82-TF

NOTE: (*) - Alternate Materials Are Available