

Model A-728A-SS

2" Angle Valve



Technical Specifications

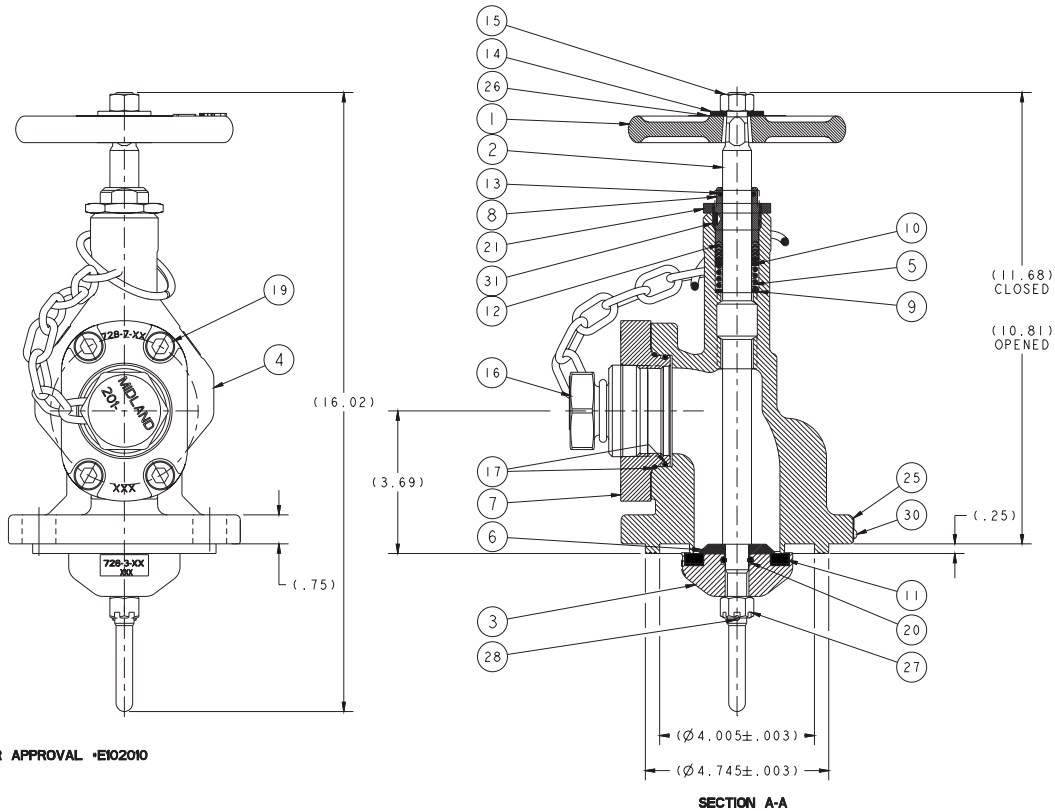
- Hardened 17-4PH stainless actuating shaft
- Maximum Operating Pressure: 500 PSIG
- Maximum Operating Temperature: 350°F (Limited by elastomeric seals)
- Flow coefficient (Cv) w/ A-183: 60.6 (@ wide open position)
- Handwheel Rotation: Clockwise to close produces upward motion of Stem
- Handwheel Closing Torque: 20-25 ft-lb (Max. Torque: 80 ft-lb limited by Shear Feature)
- Stroke: ¾" Nominal. Stroke: Measurement above 7/8" indicates Seat Seal, Item #11, must be replaced
- Packing Screw Torque: Tighten to 65 ft-lb
- Mounting flange: 6" square X 0.75" thick with (4) 7/8" holes
- Mounting Studs: (4) ¾" X 3" Long (Min.); torque to ~150 ft-lb depending on gasket
- Tongue Dimensions: 4.745" OD X 4.005" ID X 0.250" (0.125" thick gasket required. Not furnished with valve)
- Stainless Steel construction
- AAR Approval No. E102010

Model A-728A-SS

2" Angle Valve

NOTES:

1. PRIOR TO ASSEMBLY ALL PARTS TO BE CLEANED FREE OF OIL, GREASE AND DIRT USING MIDLAND'S HOT WATER SOAP WASH, FRESH WATER RINSE AND RAPID AIR DRY.
2. VALVE INTERIOR TO BE CLEAN- NO PIPE DOPE OR LOCTITE ON THREADS
3. BLOW DRY VALVE INTERIOR AND THREADS AFTER TEST. VALVE INTERIOR TO BE COMPLETELY DRIED AND FREE OF MOISTURE.
4. INSTALL PIPE-PLUG HAND TIGHT.
5. SHIP VALVE IN A PLASTIC BAG WITH DESSICANT AFTER ASSEMBLY
6. AFTER ASSEMBLY, SEALS TO BE TESTED @500 PSI FOR 2 MINUTES (MIN.) UNDER WATER - NO LEAK ALLOWED.
7. THESE ITEMS ARE PASSIVATED.



AAR APPROVAL •E102010

Item	Qty	Part Name	Material	Part No.
1	1	Handwheel	Aluminium	720-1-AL
2	1	Stem	Stainless	728-2-SS
3	1	Seal Retainer	Stainless (7)	728A-3-SS-PA
4	1	Body	Stainless (7)	728-4-SS-PA
5	1	Spring	Stainless	720-5-SS
6	1	Retainer Washer	Stainless	728-6-SS
7	1	Outlet Flange	N60	728-7-N60
8	1	Packing Screw w / Insert	N60	720-8-N60
9	1	Packing Washer Top	Stainless	720-93-SS
10	1	Packing Washer Bottom	Stainless	720-91-SS
11	1	Seat Seal	Teflon	724-10-TF
12	5	Packing	Teflon	720-11-TF
13	1	Stem Seal	Buna N*	720-12-BN
14	1	Washer	Steel	308-12-CS
15	1	Handwheel Nut	Stainless	10-15-SS
16	1	Outlet Plug & Chain	Steel, Nickel Plated	720-16-CSNI
17	2	Inner O-Ring Outlet	Buna N*	728-162-BN
18				
19	4	Bolt	Stainless	728-15-SS
20	1	Retainer O-Ring	Buna N*	728-166-BN
21	1	Packing Lock Nut	Stainless	724-21-SS
22				
23				
24				
25	1	Name Plate	Stainless	728A-22-SS
26	1	Instruction Plate	Plastic	728-26-PS
27	1	Slotted Nut	N-60	728-171-N60
28	1	Retaining Pin	Stainless	728-18-SS
29	1	Placard (Not Shown)	Plastic	728-261-PL
30	2	Drive Screw	Stainless Steel	763-11-SS
31	1	Packing Insert	PTFE	713-82-TF

NOTE: (*) - Alternate Materials Are Available