

## Model A-721-B

2" Angle Valve

December 16, 2020

(Rev 4)



### TECHNICAL SPECIFICATIONS

- Maximum Operating Pressure: 600 psig
- Maximum Operating Temperature: 350°F (Limited by elastomeric seals)
- Flow Coefficient (Cv): 83.5 @ wide open position
- Handwheel Rotation: Clockwise to close
- Normal Handwheel Closing Torque: 20-25 ft-lb (Maximum Torque: 80 ft-lb limited by Shear Feature)
- Stroke: 3/4" Nominal. Stroke: Measurement above 7/8" indicates Seat Seal (Item #9) must be replaced
- Packing Screw Torque: Tighten to 65 ft-lb
- Mounting Flange:  $\varnothing 6$ " square X 0.75 thick with four 7/8" holes on  $\varnothing 6\text{-}1/4$  B.C.

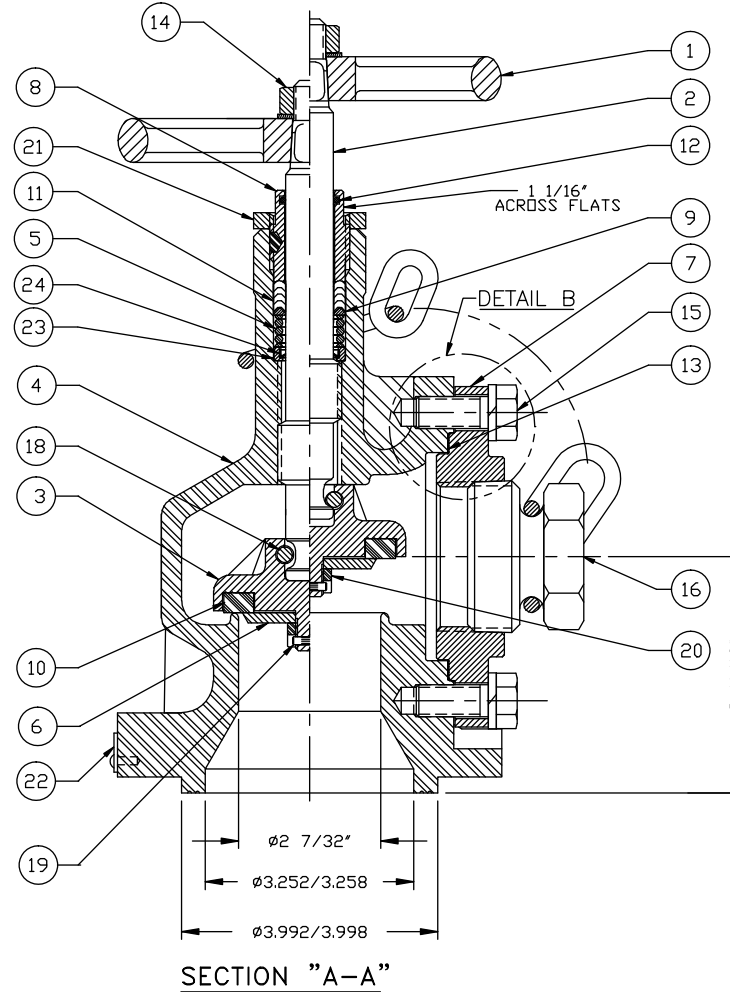
- Mounting Studs: Four 3/4" X 3" long (min.) Consult your gasket mfg for required torque values.
- Tongue Dimensions: 3.995" OD X 3.255" ID X 0.250" (0.125" thick gasket required; not furnished with valve)
- Alternate materials of construction available

### Notes

- For optional 7-1/2 handwheel, order part no. 720-101-AL
- For retainer assembly consisting of items 3, 6, 10, 19 and 20, order part no. 720-301-CS



ITEM	QTY	PART NAME	MATERIAL	PART NO.
1	1	HANDWHEEL	ALUMINUM (1)	720-1-AL (2)
2	1	STEM	STAINLESS	720-2A-SS
3	1	GASKET RETAINER	STEEL	720-3-CS (3)
4	1	BODY	DUCTILE IRON	721-42B-DI
5	1	COIL SPRING	STAINLESS	720-5-SS
6	1	RETAINER COVER	STEEL	720-6-CS (3)
7	1	OUTLET FLANGE	STEEL	721-71-CS
8	1	PACKING SCREW W/ INSERT	STEEL	720-8-CS
9	1	PACKING WASHER TOP	STAINLESS	720-93-SS
10	1	SEAT SEAL	TEFLON	720-10-TF (3)
11	4	PACKING	TEFLON	720-11-TF
12	1	STEM SEAL	BUNA-N	720-12-BN
13	1	FLANGE GASKET	GYLON 3510	721-13-GY
14A	1	HANDWHEEL NUT	STAINLESS	10-15-SS
14B	1	WASHER	STEEL	308-12-CS
15A	4	BOLT	STAINLESS	724-15-SS
15B	4	LOCK WASHER	STAINLESS	724-152-SS
16	1	OUTLET PLUG & CHAIN*	STEEL PLATED	720-16-CS
18A	1	STEM RETAINER	STAINLESS	720-18-SS
18B	2	NUT	STAINLESS	720-181-SS
19	1	PIN	STAINLESS	720-19-SS (3)
20	1	RETAINER NUT	STEEL	720-20-CS (3)
21	1	PACKING LOCK NUT	STEEL	720-21-CS
22	1	NAME PLATE	STAINLESS	721-22B-SS
23	1	SPACER	STAINLESS	720-95-SS
24	1	WIPER	PEEK	713-33-PK



## Model A-721-B

### 2" Angle Valve

December 16, 2020  
(Rev 4)

