

Model A-713 ML

Angle Valve



Technical Specifications

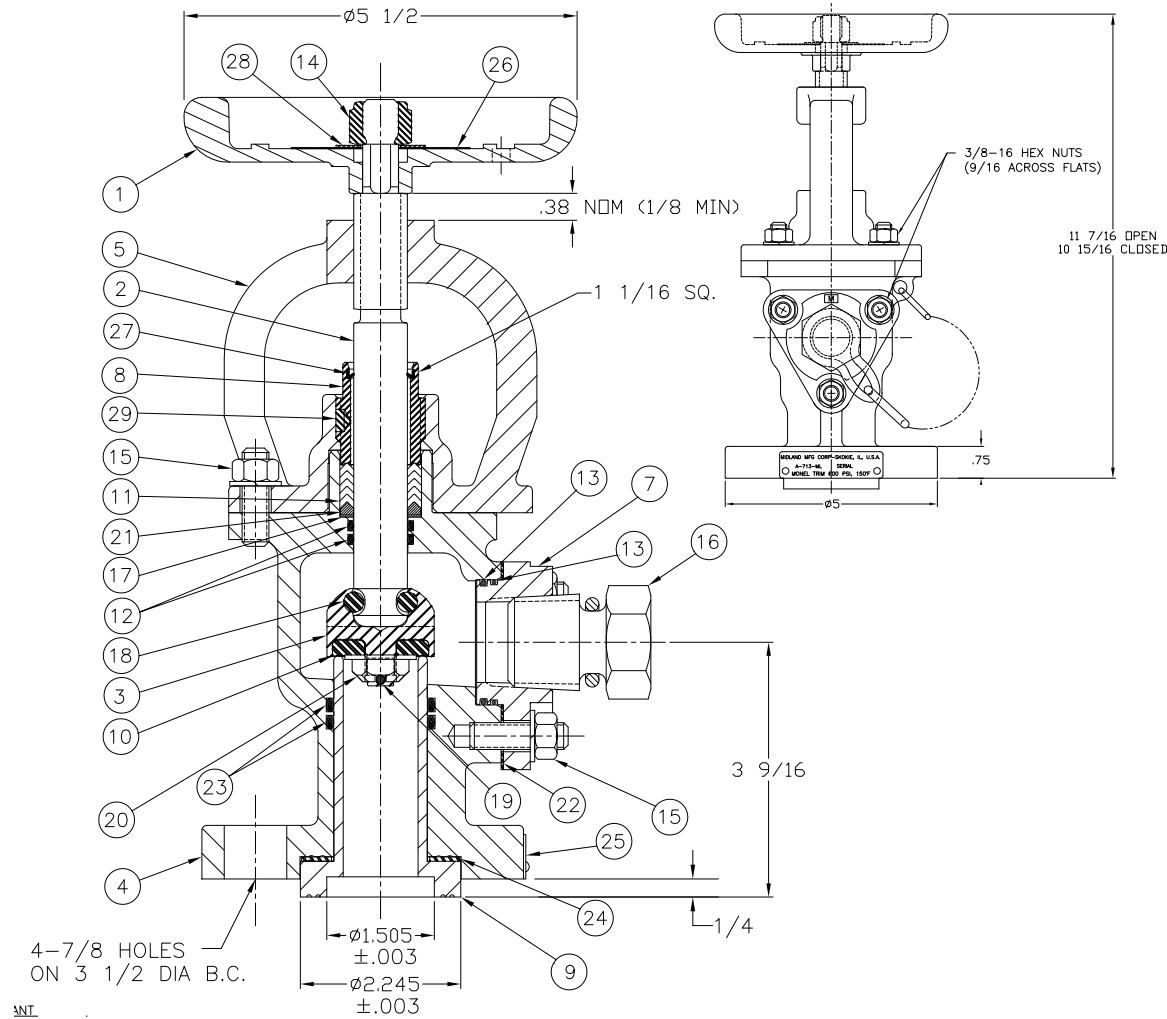
- Maximum Operating Pressure: 500 psig
- Maximum Operating Temperature: 350°F (Limited by elastomeric seals)
- Flow Coefficient (Cv) : 20.1 @ wide open position
- Handwheel Rotation: Clockwise to close
- Normal Handwheel Closing Torque: 20~25 ft-lb (Maximum Torque: 80 ft-lb limited by Shear Feature)
- Stroke: 3/4" Nominal. Stroke: Measurement above 7/8" indicates Seat Seal (Item #9) must be replaced
- Mounting Flange: $\phi 5"$ round X 0.75" thick with four 7/8" holes on $\phi 3-1/2$ B.C.
- Mounting Studs: four $3/4"$ X 3" long (min.) Consult your gasket mfg for required torque values.
- Tongue Dimensions: 2.245" OD X 1.505" ID X 0.375" (0.125" thick gasket required; not furnished with valve)
- Alternate materials of construction available
- AAR Approval No. E092016

Notes

- AAR-approved as an alternate to chlorine
- Chlorine Institute drawings 104 and 105 for chlorine tank cars
- U.S. dot special permit Dot-E 9694 authorizes use on MC 331 cargo tanks
- U.S. Dot USCG approved for barges carrying chlorine per LTR. of 3-13-89

Model A-713 ML

Angle Valve



Item	Qty	Part Name	Material	Part No.
1	1	Handwheel	Cast Iron	713-1-CI
2	1	Stem	Hastelloy C.	713-2-HC
3	1	Seal Retainer	Monel	713-303-ML
4	1	Body	Monel	713-4-ML
5	1	Bonnet	Monel	713-5-ML
6	—	—	—	—
7	1	Outlet Flange	Monel**	713-7-ML
8	1	Packing Screw	Monel	713-81-ML
9	1	Body Insert	Hastelloy C.	713-9-HC
10	1	Seat Seal	PTFE	713-10-TF
11	5	Packing Ring	PTFE	713-11-TF
12	2	Stem O-Ring	Viton*	713-12-VL
13	2	Outlet O-Ring	Viton*	713-13-VL
14	1	Nylon Insert Locknut	Stainless Steel	713-14-SS
15a	7	Stud	Monel	713-151-ML
15b	7	Nut	Monel	713-153-MLTF
15c	7	Lockwasher	Monel	713-152-ML
16	1	Pipe Plug & Chain	Monel/Stainless Steel	713-162-ML
17	1	Packing Spring	Inconel	713-17-IN
18a	1	U-Bolt	Monel	713-18-ML
18b	2	Locknut	Monel	713-181-ML
19	1	Retainer Pin	Hastelloy C.	720-19-HC
20	1	Retainer Nut	Inconel	713-201-IN
21	1	Male Packing Adapter	Monel	713-21-ML
22	1	Outlet Flange Gasket	Gylon	713-22-GY
23	2	Body O-Ring	Viton*	713-23-VL
24	1	Insert Gasket	Lead*	713-24-PB
25	1	Nameplate	Monel	713-25-ML
26	1	Instruction Plate	Plastic	713-26-PS
27	1	Wiper	PTFE	713-33-TF
28	1	Flat Washer	Stainless Steel	713-141-SS
29	2	Insert	Virgin PTFE	713-82-TF

PATENTED

* ALTERNATE MATERIAL AVAILABLE
** ALTERNATE MATERIAL HASTELLOY C. PT. NO. 713-7-HC
MAT'L SPEC ASTM A494 GRADE CW-2M OR GRADE CW-6M