

A-35280-XL Series

Pressure Relief Valve

September 11, 2020



TECHNICAL SPECIFICATIONS

- Start-to-Discharge Pressure: SEE TABLE +/-3% or 3 psi, whichever is larger
- Vapor Tight Pressure: SEE TABLE
- Certified Capacity at Flow Rating Pressure: SEE TABLE
- Flow Rating Pressure: SEE TABLE
- Effective Orifice Area: 6.91 in²
- Discharge Coefficient (Kd): SEE TABLE
- Max. Operating Temp.: 150°F
- Min. Operating Temp.: -30°F
- Mounting Studs: Four (x4) 7/8"-9 UNC
- Mounting Stud Torque: 150 +/-10 ft-lb
- Top Guide Mounting Stud Torque: 75 ft-lb
- Stem/Retainer Locknut Torque: 150 ft-lb
- Stem Adjusting Nut/Top Locknut Torque: 150 +/-10 ft-lb
- Mounting Configuration: O.D.: 6.745 +/-0.003; I.D.: 6.005 +/-0.003

- Mounting Flange: 7-5/16 in² x 1-1/4" thick; Four (x4) \varnothing 15/16" holes on \varnothing 8 B.C.
- Weight: 74 lb
- AAR-Approval #: PRD092006

Notes

- Alternate O-ring materials available

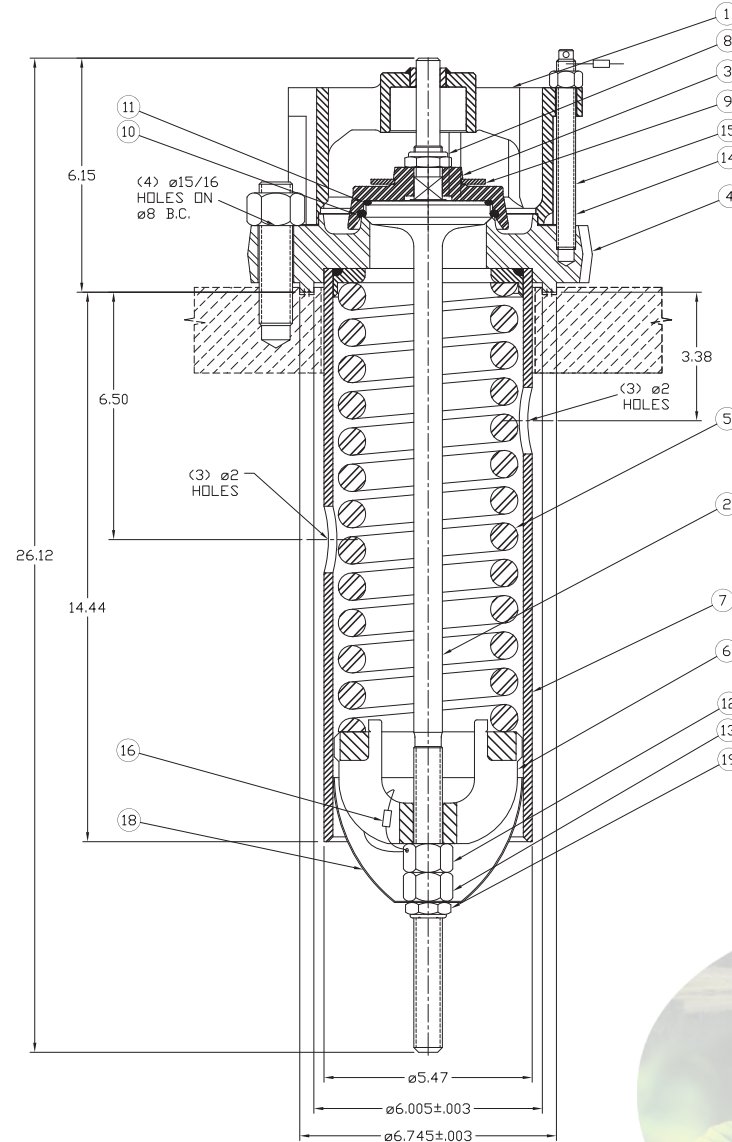
A-35280-XL Series

Pressure Relief Valve

September 11, 2020

ITEM	QTY	PART NAME	MATERIAL	PART NO.
1	1	TOP GUIDE	STEEL W/SS INSERT	35-101-XS
2	1	STEM	STAINLESS STEEL	32-2-SS
3	1	RETAINER	STEEL, PLATED [1]	35-3-CS
4	1	VALVE BODY	STEEL	35-41-CS
5	1	SPRING	ALLOY STEEL, PLATED [1]	35-280-AS
6	1	FOLLOWER	STEEL, PLATED	32-6-CS
7	1	SPRING GUIDE	STEEL	32-7-CS
8	1	TOP LOCK NUT	STEEL, PLATED [1]	23-8-CS
9	1	WASHER	NEOPRENE	23-9-NE
10	1	SEAT O-RING	BUNA-N [2]	32-10-BN
11	1	STEM O-RING	BUNA-N [2]	32-11-BN
12	1	ADJUSTMENT NUT	STEEL, PLATED [1]	23-12-CS
13	1	LOCKNUT	STEEL, PLATED [1]	23-13-CS
14A	2	STUD	ALLOY STEEL	31-14-AS
14B	2	STUD	ALLOY STEEL	31-141-AS
15	4	HEX NUT	STEEL, PLATED [1]	10-15-CS
16	2	WIRE SEAL KIT	STAINLESS STEEL/LEAD [2]	10-16-PB
17	1	NAMEPLATE	STAINLESS STEEL	35-282-SS
18	1	COVER	STAINLESS STEEL	32-66-SS
19	1	COVER LOCKNUT	STEEL, PLATED [1]	310-5-CS

[1] STANDARD PLATING IS ZINC
[2] ALTERNATE MATERIALS AVAILABLE
[3] FOR ALUMINUM-COATED SPRING, SPECIFY ASAL.



A-35000-XL SERIES				FLOW RATE		
VALVE ASSEMBLY	SPRING PART NUMBER	START-TO-DISCHARGE	VAPOR TIGHT	RATE	FLOW RATED PRESSURE	DISCHARGE COEFFICIENT
		(PSIG)	(PSIG)	(SCFM)	(PSIG)	(KD)
A-35280-XL	35-280-AS	280.5	260	33122	308.55	0.8