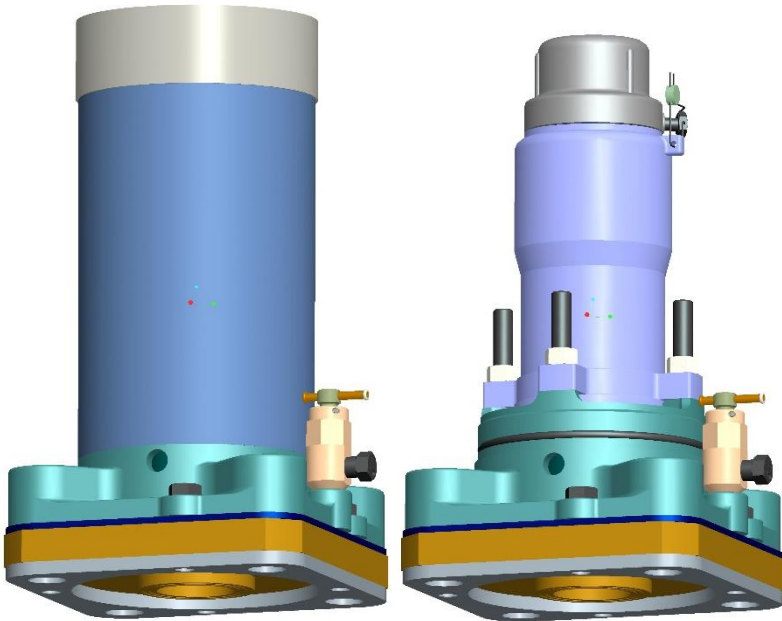


## Model A-14452-HC & A-14497-HC

### Pressure Relief Valve

July 31, 2015



VALVE PART NO.	PRESSURE SETTING (PSI)	FLOW RATE (CFM AIR)	NAMEPLATE	RUPTURE DISC
A-14452-HC	450	6971	14-50-SS	14-23-TA-450
A14497-HC	495	8616	14-52-SS	14-23-TA-495

NOTES:

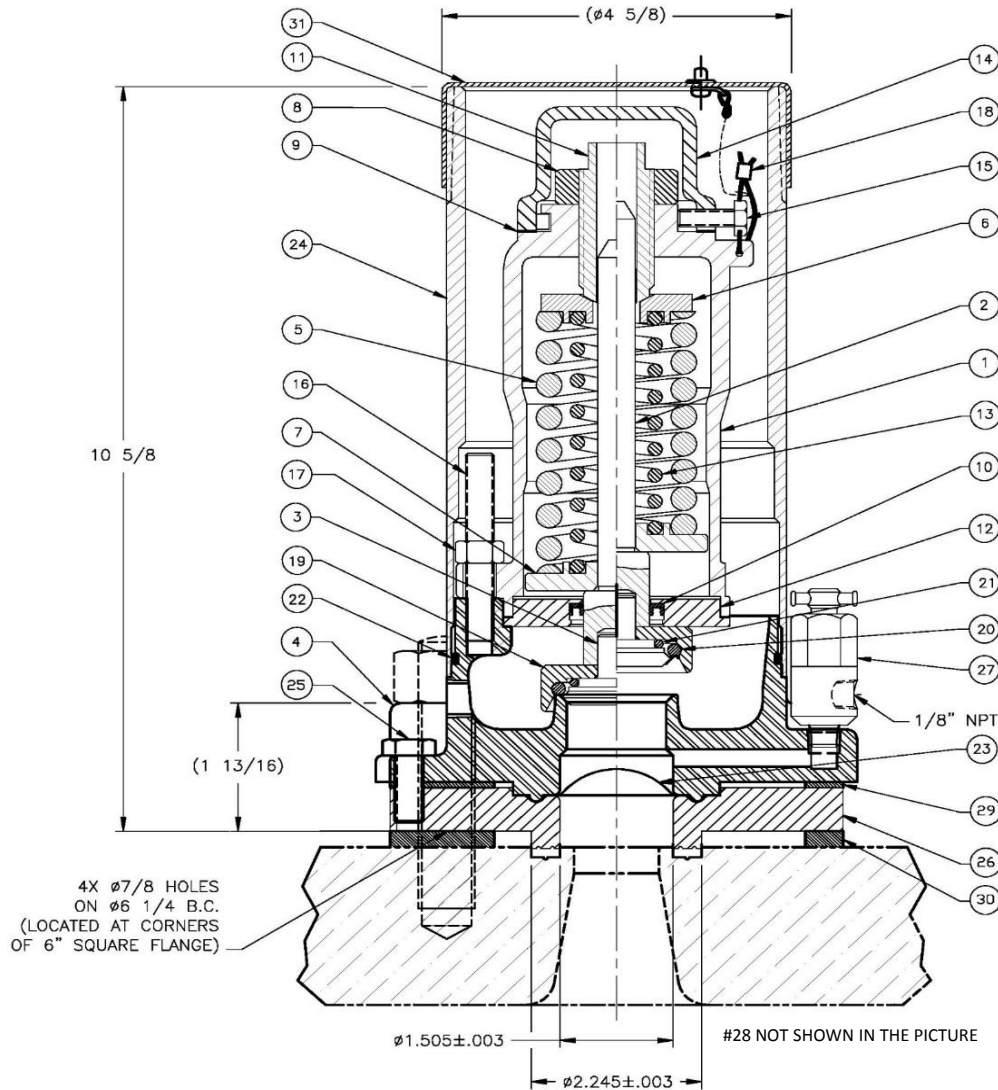
- ALTERNATE MATERIAL AVAILABLE
- FOR ANHYDROUS HYDROGEN CHLORIDE
- AAR APPROVAL # PRDO82004



# Model A-14452-HC & A-14497-HC

## Pressure Relief Valve

July 31, 2015



Item	QTY	Part Name	A-14452-HC		A-14497-HC	
			Material	Part No.	Material	Part No.
1	1	TOP GUIDE	STAINLESS STEEL	14-101-SS	STAINLESS STEEL	14-101-SS
2	1	STEM	HAST. C/MONEL	14-2-XC	HAST. C/MONEL	14-2-XC
3	1	PLUG	HASTELLOY C	14-3-HC	HASTELLOY C	14-3-HC
4	1	BODY	HASTELLOY C	14-480-HC	HASTELLOY C	14-480-HC
5	1	OUTER SPRING	STAINLESS STEEL	15-450-SS	STAINLESS STEEL	15-450-SS
6	1	FOLLOWER	STAINLESS STEEL	14-6-SS	STAINLESS STEEL	14-6-SS
7	1	GUIDE	STAINLESS STEEL	14-7-SS	STAINLESS STEEL	14-7-SS
8	1	TOP NUT	STAINLESS STEEL	15-8-SS	STAINLESS STEEL	15-8-SS
9	1	TOP GASKET	VITON	15-9-VA	VITON	15-9-VA
10	1	SHAFT SEAL	PTFE	17-10-TF	PTFE	17-10-TF
11	1	ADJUSTING SCREW	STAINLESS STEEL	15-111-SS	STAINLESS STEEL	15-111-SS
12	1	SEAL RETAINER	MONEL	14-12-ML	MONEL	14-12-ML
13	1	INNER SPRING	STAINLESS STEEL	14-13-SS	STAINLESS STEEL	14-13-SS
14	1	CAP	STAINLESS STEEL	14-14-SS	STAINLESS STEEL	14-14-SS
15	1	SET SCREW	STEEL	15-15-CS	STEEL	15-15-CS
16	4	STUD	MONEL	14-16-ML	MONEL	14-16-ML
17	4	NUT	MONEL	14-17-ML	MONEL	14-17-ML
18	1	WIRE SEAL	SS WIRE, LEAD SEAL	22-72-PB	SS WIRE, LEAD SEAL	22-72-PB
19	1	RETAINER	HASTELLOY C	14-19-HC	HASTELLOY C	14-19-HC
20	1	SEAT "O" RING	VITON	10-10-VL	VITON	10-10-VL
21	1	PLUG "O" RING	VITON	10-11-VL	VITON	10-11-VL
22	1	FLUE "O" RING	VITON	14-22-VA	VITON	14-22-VA
23	1	RUPTURE DISC	TANTALUM	SEE TABLE	TANTALUM	SEE TABLE
24	1	FLUE	PLASTIC (!)	14-24-PC	PLASTIC (!)	14-24-PC
25	4	RUPTURE DISC FLG BOLTS	STAINLESS STEEL	15-16-SS	STAINLESS STEEL	15-16-SS
26	1	RUPTURE DISC FLANGE	HASTELLOY C	14-37-HC	HASTELLOY C	14-37-HC
27	1	1/8" VALVE	MONEL	A-251-VG	MONEL	A-251-VG
28	1	NAMEPLATE	STAINLESS STEEL	SEE TABLE	STAINLESS STEEL	SEE TABLE
29	1	UPPER FILLER	VITON	14-29-VA	VITON	14-29-VA
30	1	LOWER FILLER	VITON	14-30-VA	VITON	14-30-VA
31	1	PROTECTIVE CAP/CHAIN	POLYETHYLENE/SS	14-31-PE	POLYETHYLENE/SS	14-31-PE