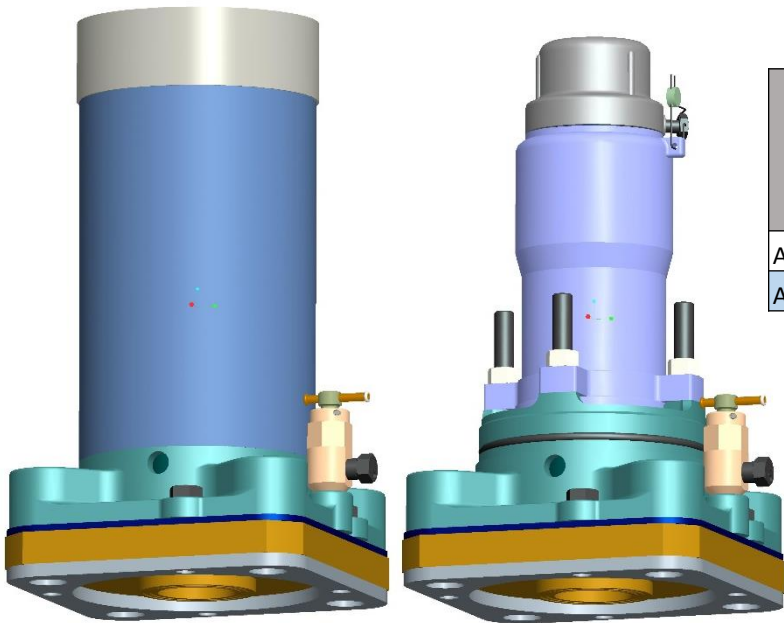


## Model A-14227-ML-A & A-14377-ML-A

### Pressure Relief Valve

July 31, 2015



VALVE MODEL NO.	RUPTURE DISC SETTING (PSIG)	FLOW RATE @10% > R.D. (CFM AIR)	VALVE PRESSURE SETTING (PSIG)	VAPOR TIGHT PRESSURE (MINIMUM ) (PSIG)	OUTER SPRING	INNER SPRING	NAMEPLATE	RUPTURE DISC
A-14227-ML-A	202-225	4629	210	200	15-150-MO	14-13-SS	A-14-227-ML-A	14-23-TA-225
A-14377-ML-A	319-375	7299	351	336	15-375-SS	14-13-SS	A-14-377-ML-A	14-23-TA-375

#### NOTES:

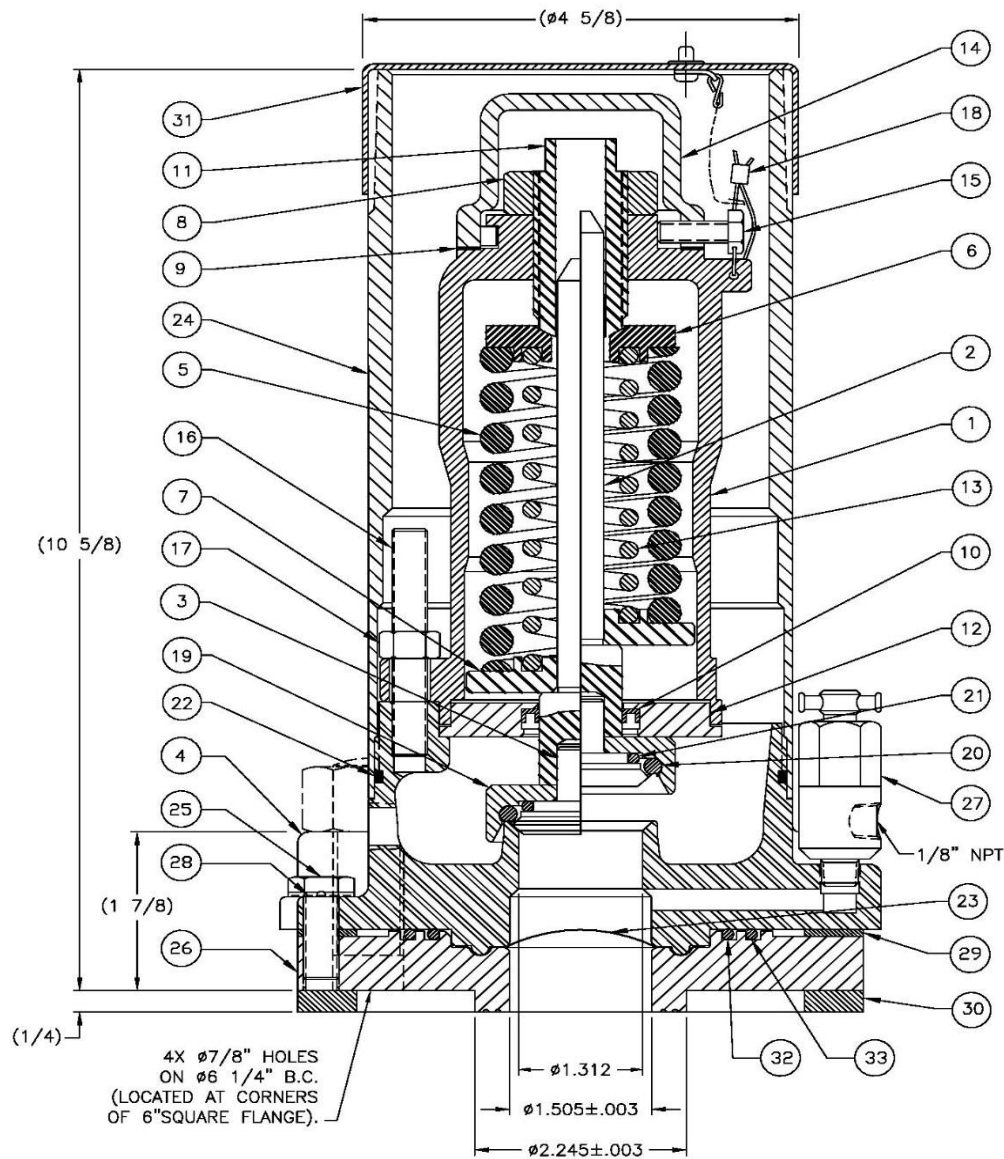
- FOR STAINLESS STEEL FLUE, ADD SUFFIX -S TO MODEL NUMBER.
- ORIFICE AREA: 1.35 SQUARE INCHES
- VALVE WEIGHT: 30 LBS
- 15-112-SS ADJUSTMENT SCREW IS USED ON A-14377-ML AND A-14502-ML
- AAR APPROVAL # PRD092002



## Model A-14227-ML-A & A-14377-ML-A

### Pressure Relief Valve

July 31, 2015



Item	QTY	Part Name	Material	Part No.
1	1	TOP GUIDE	STAINLESS STEEL	14-101-SS
2	1	STEM	HAST. C/MONEL	14-2-XC
3	1	PLUG	HASTELLOY C	14-3-HC
4	1	BODY	HASTELLOY C	14-480-HC
5	1	OUTER SPRING	STAINLESS STEEL	SEE TABLE
6	1	FOLLOWER	STAINLESS STEEL	14-6-SS
7	1	GUIDE	STAINLESS STEEL	14-7-SS
8	1	TOP NUT	STAINLESS STEEL	15-8-SS
9	1	TOP GASKET	VITON	15-9-VA
10	1	SHAFT SEAL	PTFE	17-10-TF
11	1	ADJUSTING SCREW	STAINLESS STEEL	15-11-SS (2)
12	1	SEAL RETAINER	MONEL	14-12-ML
13	1	INNER SPRING	STAINLESS STEEL	SEE TABLE
14	1	CAP	STAINLESS STEEL	14-14-SS
15	1	SEAL SCREW	STEEL, PLATED	15-15-CS
16	4	STUD	MONEL	14-16-ML
17	4	NUT	MONEL	14-17-ML
18	1	WIRE SEAL	SS WIRE, LEAD SEAL	22-72-PB
19	1	RETAINER	HASTELLOY C	14-19-HC
20	1	SEAT "O" RING	VITON	10-10-VL
21	1	PLUG "O" RING	VITON	10-11-VL
22	1	FLUE "O" RING	VITON	14-22-VA
23	1	RUPTURE DISC	TANTALUM	SEE TABLE
24	1	FLUE	PLASTIC (!)	14-24-PC
25	4	RUPTURE DISC FLG BOLTS	STAINLESS	15-16-SS
26	1	RUPTURE DISC FLANGE	MONEL	14-372-ML
27	1	1/8" VALVE	MONEL	A-251
28	1	NAMEPLATE	MONEL	SEE TABLE
29	1	UPPER FILLER	VITON	14-29-VA
30	1	LOWER FILLER	VITON	14-30-VA
31	1	PROTECTIVE CAP/CHAIN	POLYETHYLENE/SS	14-31-PE
32	1	FLANGE O-RING INNER	VITON	32-11-VL
33	1	FLANGE O-RING OUTER	VITON	14-331-VL