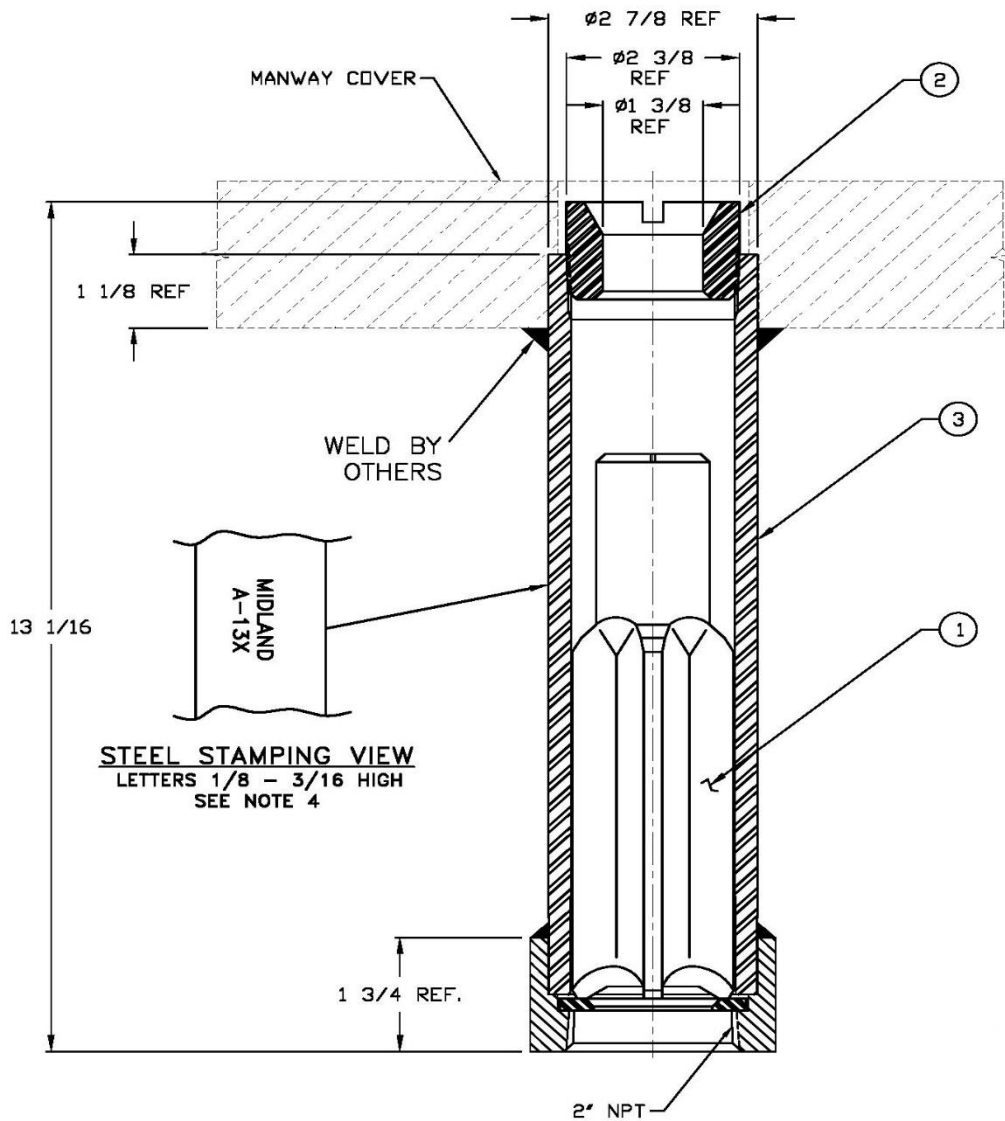


Model A-136

Check Valve

July 20, 2015



Item	QTY	Part Name	Material	Part No.
1	1	FLOAT	STAINLESS	132-1-SS
2	1	PLUG (3)	STAINLESS (4)	136-5-SS
3	1	BODY ASSEMBLY	STAINLESS	136-31-SS

NOTES:

- AAR APPROVAL NO. E122004
- FLOAT WEIGHT 3.8 POUNDS
- MAXIMUM FLOW RATE 180 GALLONS OF LIQUID PROPANE PER MINUTE
- USE WRENCH T-312-CS TO INSTALL OR REMOVE PLUG
- FOR NITRONIC 60 PLUG, ADD SUFFIX -N60 TO A-136 (i.e. A-136-N60).

