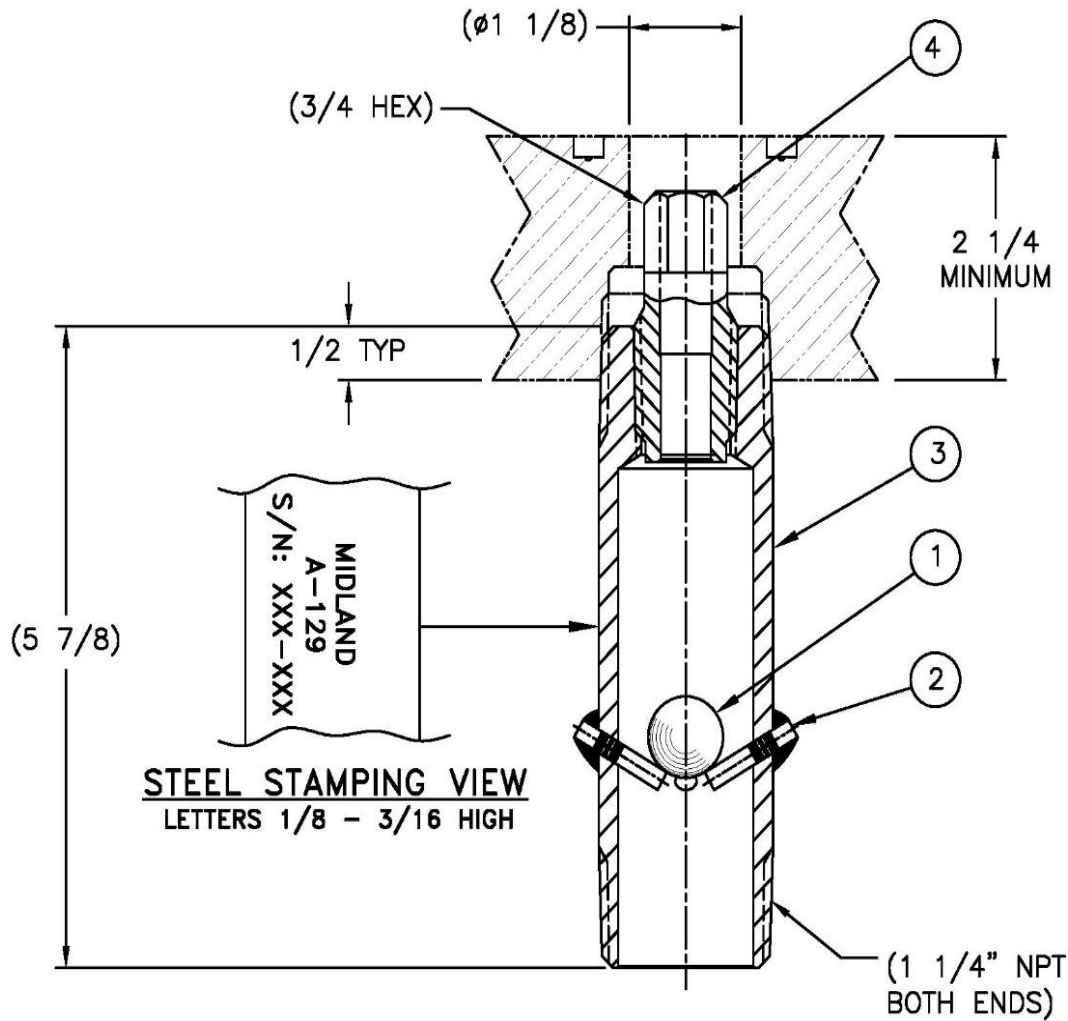


Model A-129

Check Valve

July 20, 2015



Item	QTY	Part Name	Material	Part No.
1	1	BALL	MONEL K500	129-1-ML
2	4	PIN	K-MONEL	129-2-ML
3	1	BODY ASSEMBLY	MONEL	129-3-ML
4	1	SEAT	MONEL K500	129-4-ML

NOTES:

- AAR APPROVAL NO. E092021
- CHLORINE INSTITUTE FLOW RATES AT 7,000 LBS/HR OF LIQUID CHLORINE. CONFORMS TO CHLORINE INST. DRG. 101, LAT REV

