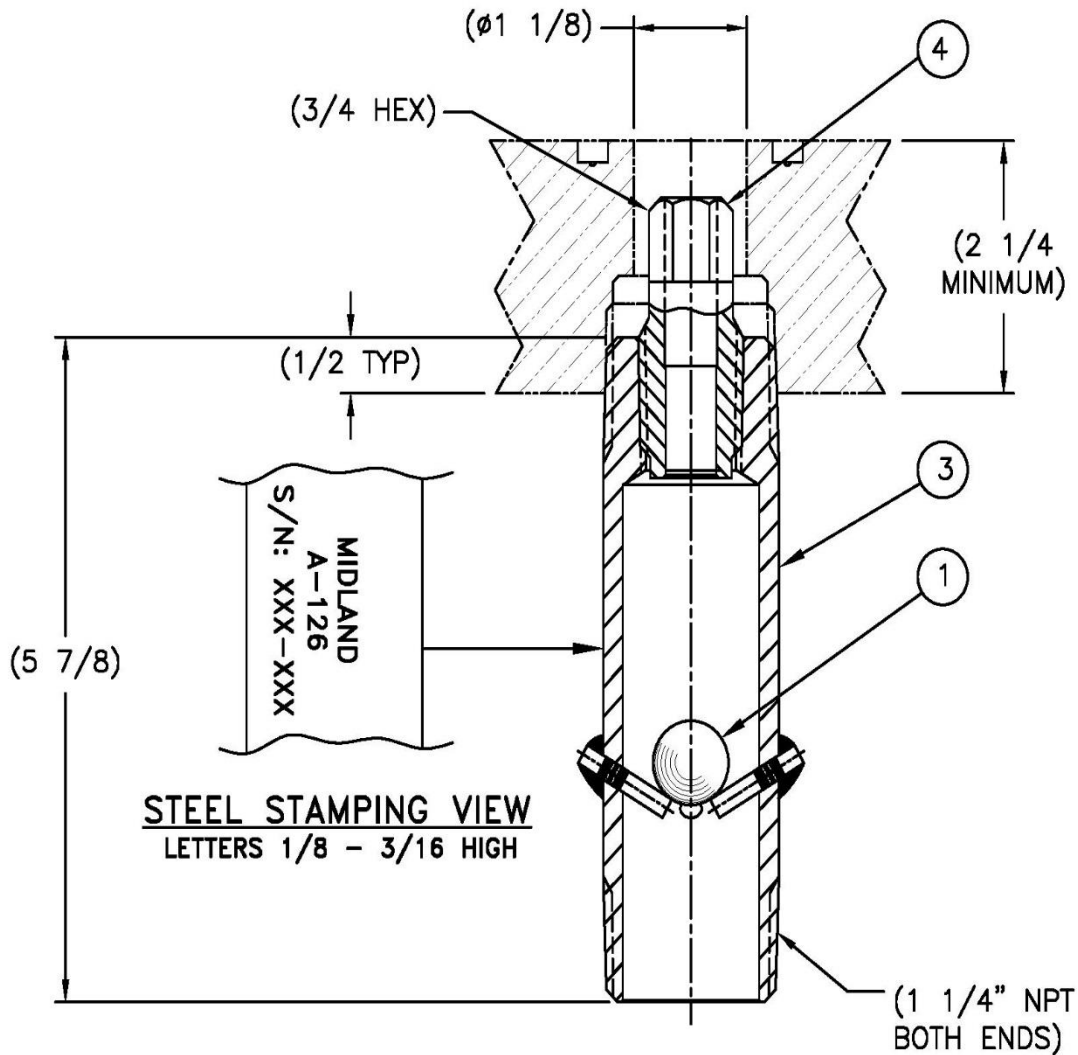


## Model A-126

Check Valve

July 20, 2015



Item	QTY	Part Name	Material	Part No.
1	1	BALL	TUNGSTEN CARBIDE	127-1-TC
2	-	-	-	-
3	1	BODY ASSEMBLY	MONEL	129-3-ML
4	1	SEAT	MONEL K500	129-4-ML

NOTES:

- AAR APPROVAL NO. E082014
- 11,000 LBS/HR OF CHLORINE CONFORMS TO CHLORINE INST. DRG. 163, LAT. REV

