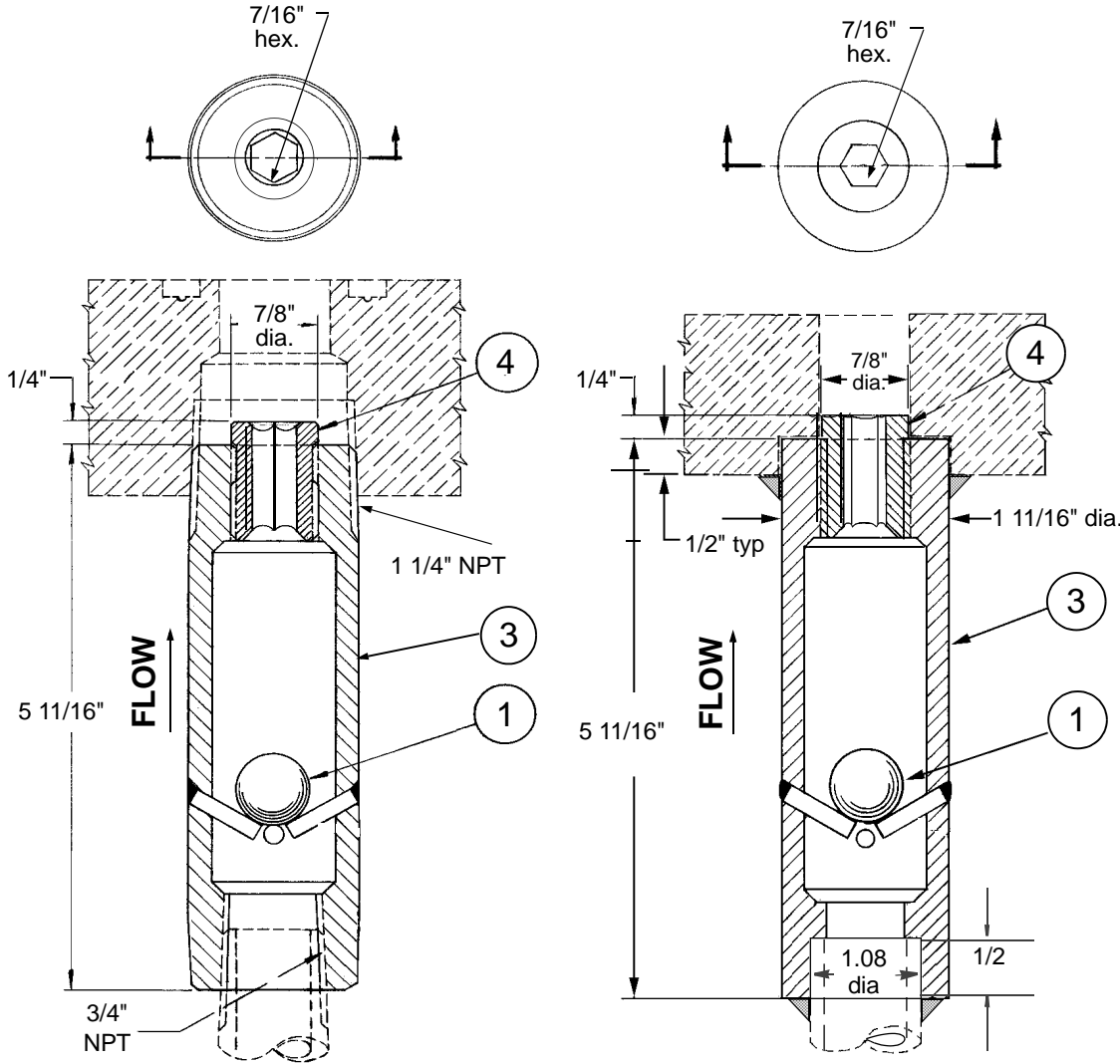


EXCESS FLOW CHECK VALVES
WITH REMOVABLE SEAT

A-119, A-119-MO, A-119-W, A-119-W-MO

© 2002 Midland Manufacturing Corp.
All designs subject to change without notice. Installation dimensions and mounting
arrangements are for general information. Certified drawings are available upon request.



A-119, A-119-MO

A-119-W, A-119-W-MO

ITEM NO.	QTY.	PART NAME	A-119		A-119-MO	
			MATERIAL	PART NO.	MATERIAL	PART NO.
1	1	BALL	STAINLESS	119-1-SS	316 STAINLESS	119-1-MO
2						
3	1	BODY ASSEMBLY	STAINLESS	119-3-SS	316 STAINLESS	119-3-MO
4	1	PLUG	STAINLESS	119-4-SS	316 STAINLESS	119-4-MO

ITEM NO.	QTY.	PART NAME	A-119-W		A-119-W-MO	
			MATERIAL	PART NO.	MATERIAL	PART NO.
1	1	BALL	STAINLESS	119-1-SS	316 STAINLESS	119-1-MO
2						
3	1	BODY ASSEMBLY	STAINLESS	119-311-SS	316 STAINLESS	119-311-MO
4	1	PLUG	STAINLESS	119-4-SS	316 STAINLESS	119-4-MO

Maximum flow rate is 18 gallons of water per minute.



TO PLACE AN ORDER, OR JUST ASK A QUESTION, CALL (847) 677 - 0333 OR FAX (847) 677 - 0138

REVISION 4.0

3/21/05