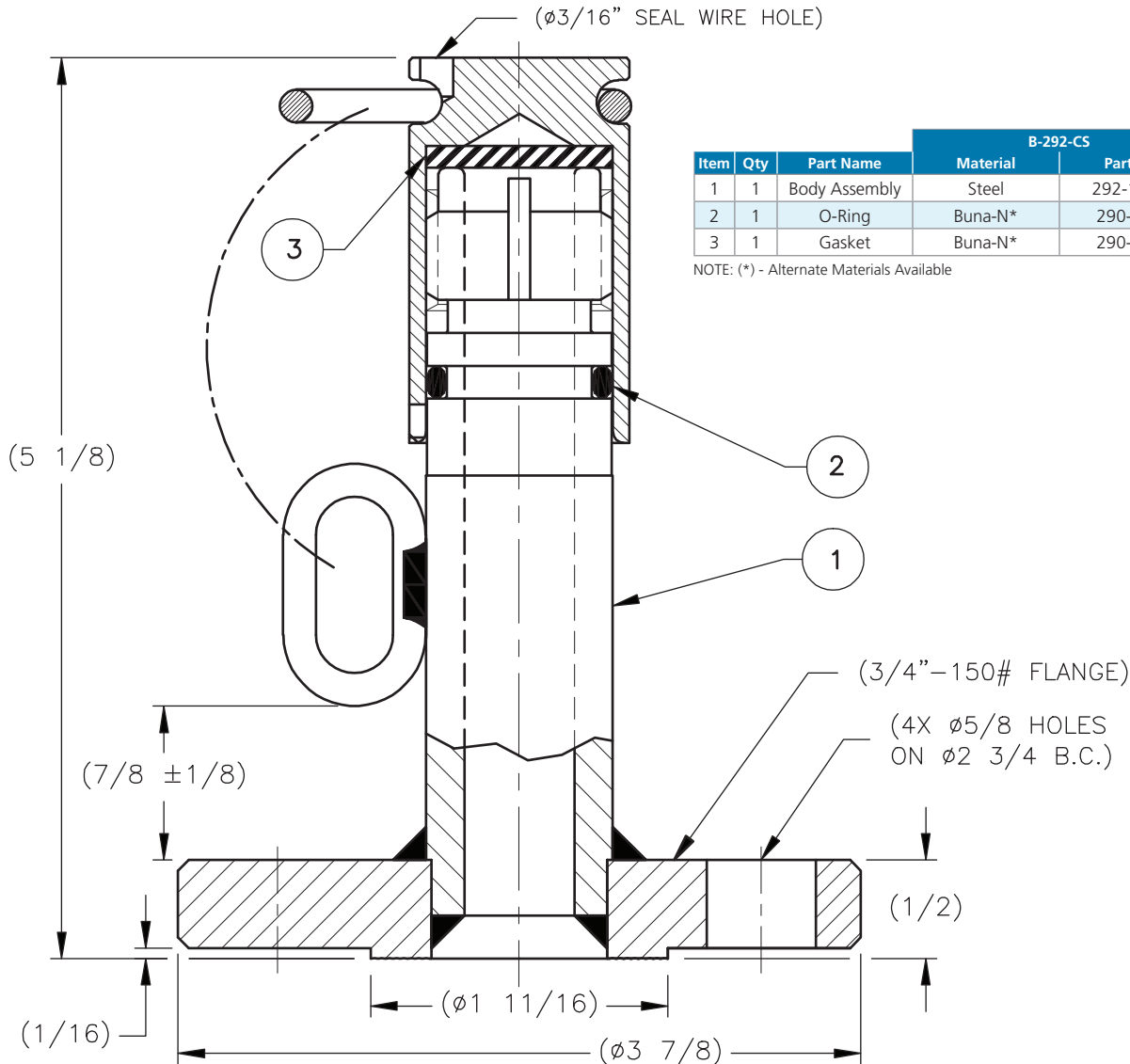


# Model B-292 Series

## Flanged (3/4" – 150#) Thermowell Assembly



Item	Qty	Part Name	B-292-CS		B-292-SS		B-292-MO	
			Material	Part No.	Material	Part No.	Material	Part No.
1	1	Body Assembly	Steel	292-10-CS	Stainless	292-10-SS	Stainless Type 316	292-10-MO
2	1	O-Ring	Buna-N*	290-3-BN	Buna-N*	290-3-BN	Buna-N*	290-3-BN
3	1	Gasket	Buna-N*	290-5-BN	Buna-N*	290-5-BN	Buna-N*	290-5-BN

NOTE: (\*) - Alternate Materials Available