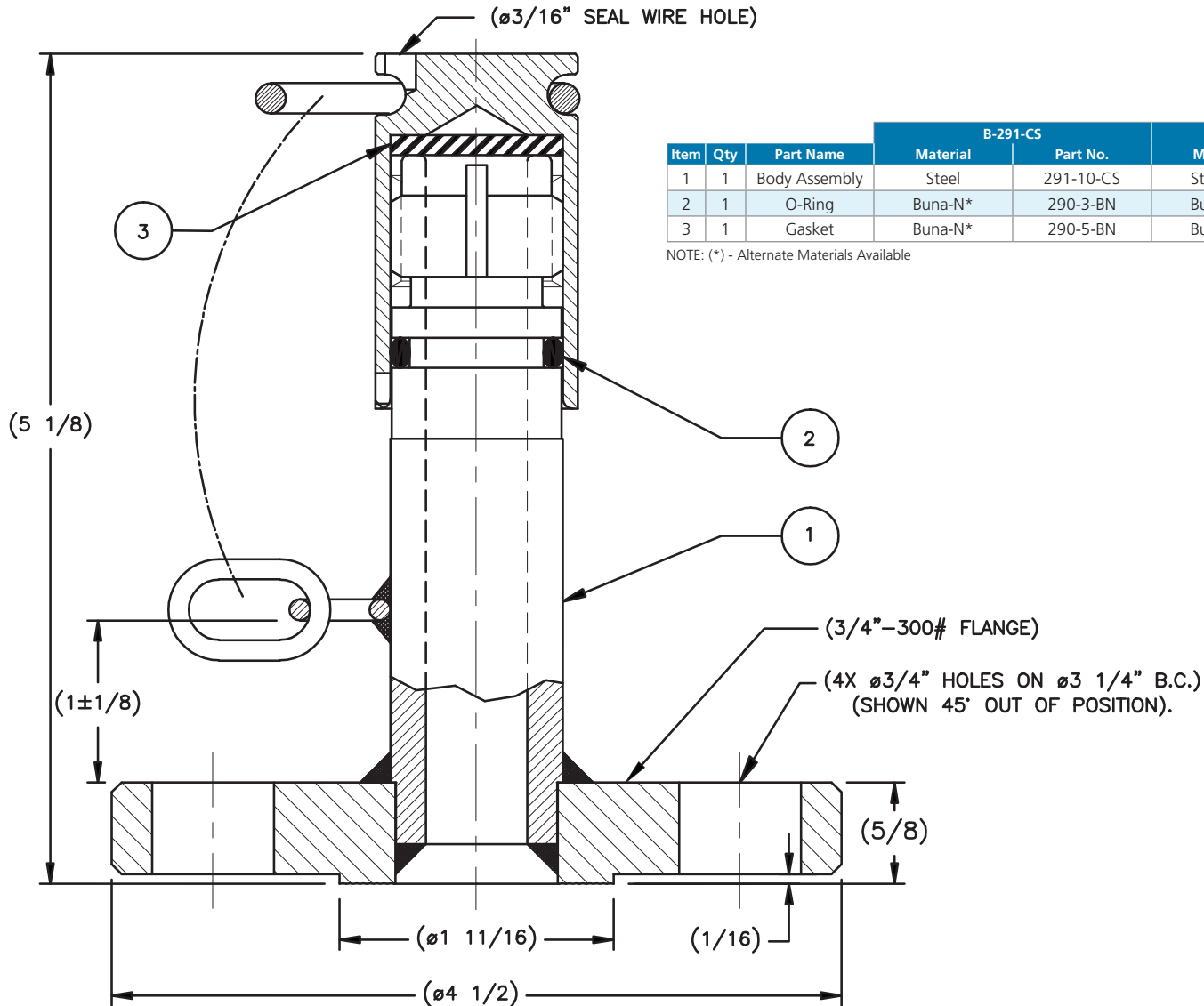


Model B-291 Series

Flanged (3/4" – 300#) Thermowell Assembly



Item	Qty	Part Name	B-291-CS		B-291-SS		B-291-MO	
			Material	Part No.	Material	Part No.	Material	Part No.
1	1	Body Assembly	Steel	291-10-CS	Stainless	291-10-SS	Stainless Type 316	291-10-MO
2	1	O-Ring	Buna-N*	290-3-BN	Buna-N*	290-3-BN	Buna-N*	290-3-BN
3	1	Gasket	Buna-N*	290-5-BN	Buna-N*	290-5-BN	Buna-N*	290-5-BN

NOTE: (*) - Alternate Materials Available