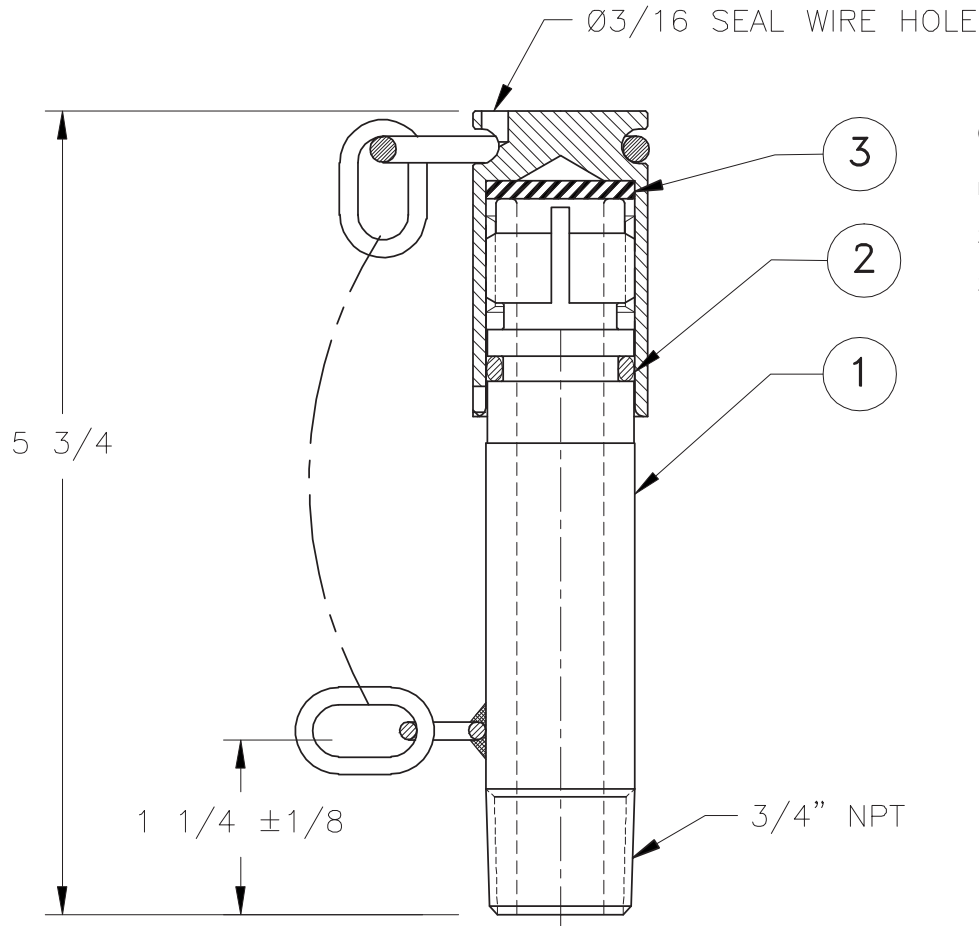


Model B-290 Series

Thermowell Assembly 3/4" Ball Valve w/ Steam Jacket for Sulphur Applications



(* Alternate Materials Available

NOTES:

1. Parts Passivated Per ASTM A967 and Tested Per ASTM A380. (-PA)
2. Parts Tested to ASTM A262 Practice B Acceptance, with a Rapid Screening Test Per Practice A. (-PRA).
3. Ship Valve in a Plastic Bag with Desiccant.

| Item No. | Qty | Part Name | B-290-CS | | B-290-SS | | B-290-MO | | B-290-MO-PRA (See Notes 2 & 3) | | B-290-MO-PA (See Notes 1 & 3) | | B-290-MO-PRA-PA (See Notes 1, 2 & 3) | |
|----------|-----|-----------------|----------|-------------|-----------|-------------|--------------------|-------------|-----------------------------------|---------------|----------------------------------|--------------|---|------------------|
| | | | Material | Part Number | Material | Part Number | Material | Part Number | Material | Part Number | Material | Part Number | Material | Part Number |
| 1 | 1 | Body & Cap Asm. | Steel | 290-10-CS | Stainless | 290-10-SS | Stainless Type 316 | 290-10-MO | Stainless Type 316 | 290-10-MO-PRA | Stainless Type 316 | 290-10-MO-PA | Stainless Type 316 | 290-10-MO-PRA-PA |
| 2 | 1 | O-Ring | Viton A* | 290-3-VA | Viton A* | 290-3-VA | Viton A* | 290-3-VA | Viton A* | 290-3-VA | Viton A* | 290-3-VA | Viton A* | 290-3-VA |
| 3 | 1 | Gasket | Viton A* | 290-5-VA | Viton A* | 290-5-VA | Viton A* | 290-5-VA | Viton A* | 290-5-VA | Viton A* | 290-5-VA | Viton A* | 290-5-VA |

Revision Date: June 4, 2021