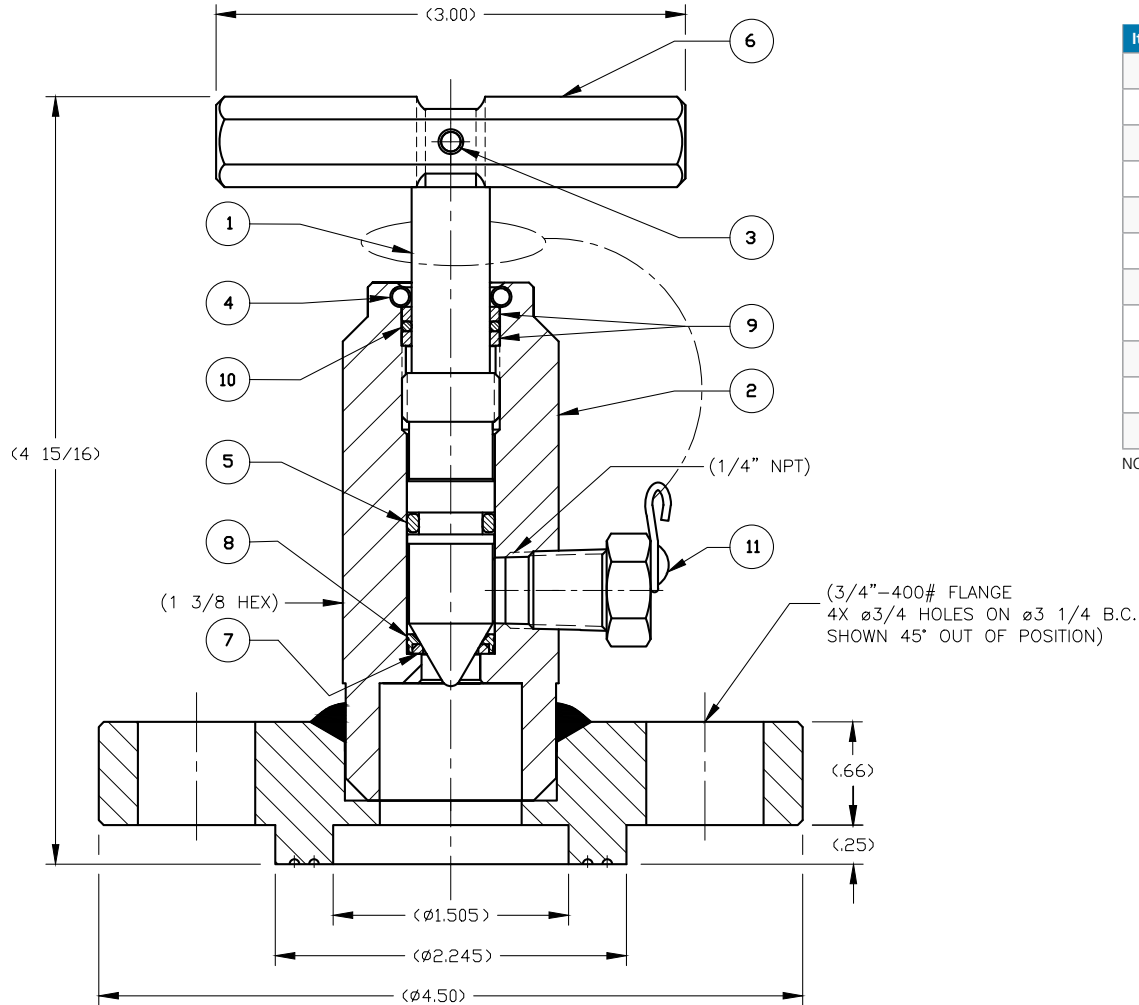


Model A-257-FR-S01

Needle Valve, Flanged Base with T&G



Item	Qty	Part Name	Material	Part No.
1	1	Stem	Stainless Steel	257-1-SS
2	1	Body Assembly	Stainless Steel	257-27-SS
3	1	Pin	Stainless Steel	720-19-SS
4	2	Roll Pin	Stainless Steel	253-4-SS
5	1	O-Ring	Viton A (*)	257-5-VA
6	1	Handle	Steel, Plated	254-61-CS
7	1	Seat	Teflon	257-7-TF
8	1	Retainer	Stainless Steel	257-8-SS
9	2	Stop Ring	Stainless Steel	257-9-SS
10	1	O-Ring	Buna-N	257-10-BN
11	1	Pipe-Plug Assembly	Stainless Steel (*)	20-SS-19-05-6-SS-KR

NOTE: (*) - Alternate Materials Are Available