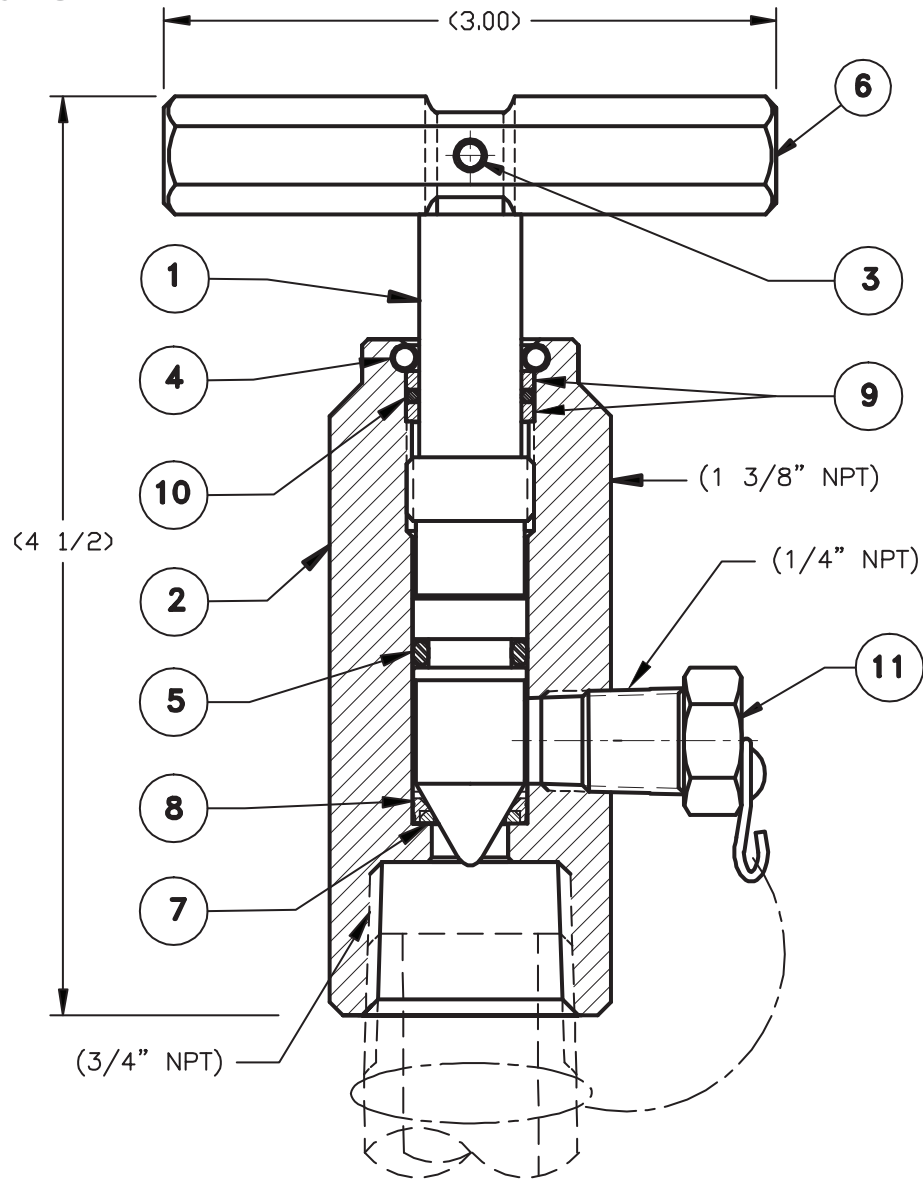


Model A-257-SS, A-257-MO, A-257-MO-PRA

3/4" Needle Valve



Model A-257-SS, A-257-MO, A-257-MO-PRA

3/4" Needle Valve

Item	Qty	Part Name	A-257-SS		A-257-MO		A-257-MO-PRA (4)	
			Material	Part No.	Material	Part No.	Material	Part No.
1	1	Stem	Stainless Steel	257-1-SS	Stainless Steel	257-1-MO	Stainless Steel	257-1-MO-PRA (3)
2	1	Body	Stainless Steel	257-2-SS	Stainless Steel	257-2-MO	Stainless Steel	257-2-MO-PRA (3)
3	1	Pin	Stainless Steel	720-19-SS	Stainless Steel	720-19-SS	Stainless Steel	720-19-SS
4	2	Roll Pin	Stainless Steel	253-4-SS	Stainless Steel	253-4-SS	Stainless Steel	253-4-SS
5	1	O-Ring	Buna-N (2)	257-5-BN	Buna-N (2)	257-5-BN	Buna-N (2)	257-5-BN
6	1	Handle	Steel Plated	254-61-CS	Steel Plated	254-61-CS	Steel Plated	254-61-CS
7	1	Seat	Teflon	257-7-TF	Teflon	257-7-TF	Teflon	257-7-TF
8	1	Retainer	Stainless Steel	257-8-SS	Stainless Steel	257-8-MO	Stainless Steel	257-8-MO-PRA (3)
9	2	Stop Ring	Stainless Steel	257-9-SS	Stainless Steel	257-9-SS	Stainless Steel	257-9-SS
10	1	O-Ring	Buna-N	257-10-BN	Buna-N	257-10-BN	Buna-N	257-10-BN
11	1	Pipe Plug Assembly (1)	Stainless Steel	(1)	Stainless Steel	(1)	Stainless Steel	(1)

NOTE: (1) For A-257-SS: Use Part No. 20-SS-19-05-6-SS-KR

For A-257-MO and A-257-MO-PRA: Use Part No. 20-MO-19-05-6-SS-KR

(2) Alternative Material Available

(3) Parts Tested to ASTM A262 Practice B Acceptance, with a Rapid Screening Test Per Practice A. (-PRA)

(4) Ship Valve in a Plastic Bag with Desiccant