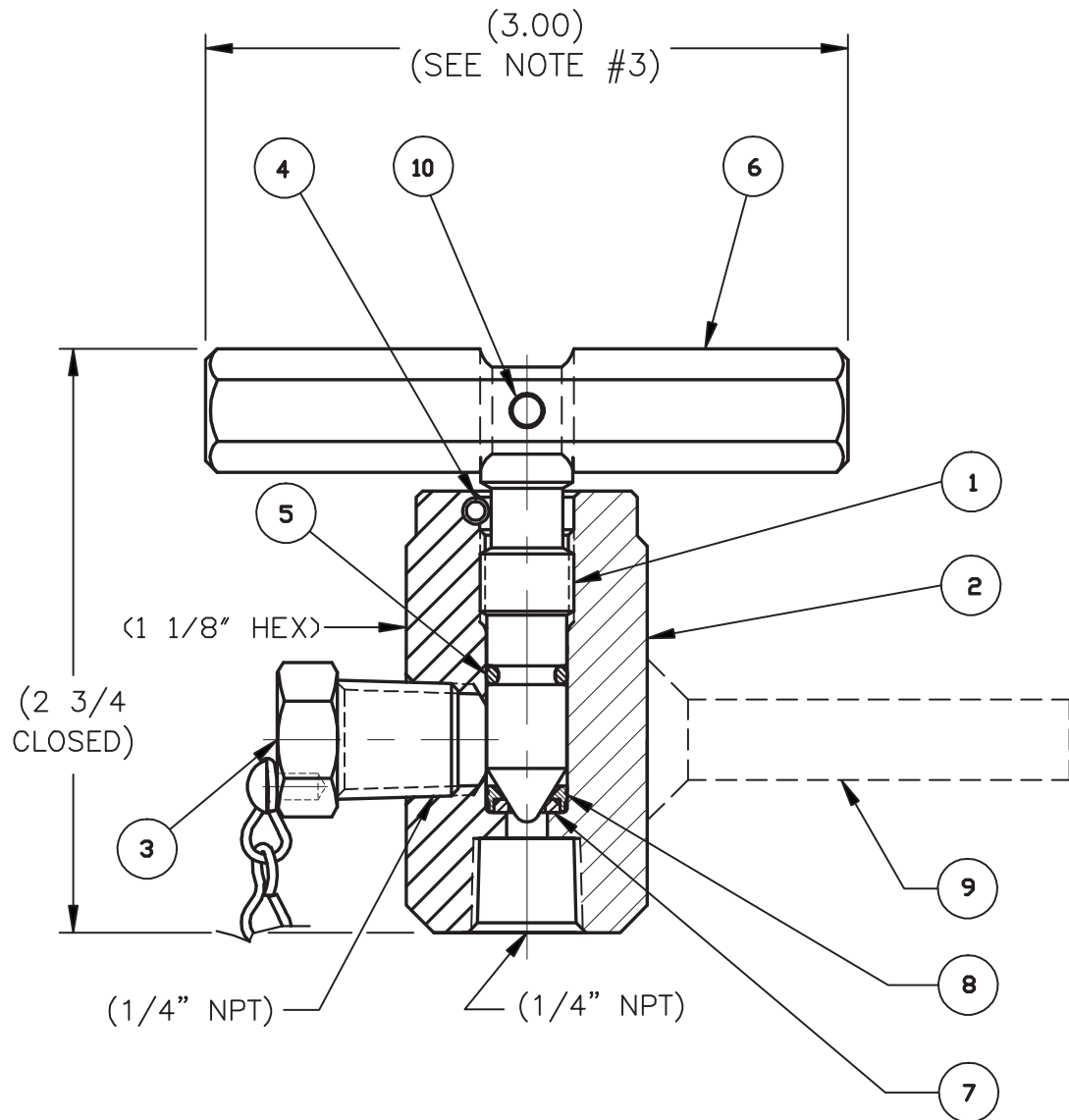


# Model A-254-SS

## 1/4" NPT – Needle Valve



A-254-SS				
Item	Qty	Part Name	Material	Part No.
1	1	Stem	Stainless Steel	254-1-SS
2	1	Body	Stainless Steel	253-2-SS
3	1	Plug Assembly	Stainless Steel	20-SS-19-05-6-SS-KR
4	1	Roll Pin	Stainless Steel	253-4-SS
5	1	O-Ring	Buna-N (2)	253-5-BN
6	1	Handle	Stainless Steel	254-61-CS (3)
7	1	Seat	Teflon	254-7-TF
8	1	Retainer	Stainless Steel	254-8-SS
9	1	Side Handle (1)	Steel	253-9-CS
10	1	Pin	Stainless Steel	720-19-SS

NOTE: (1) - Not Furnished Unless Requested. Weld Attached by Midland  
 (2) - Alternative Material Available.  
 (3) - For 2" Long Handle, Use Part Number 254-62-CS.