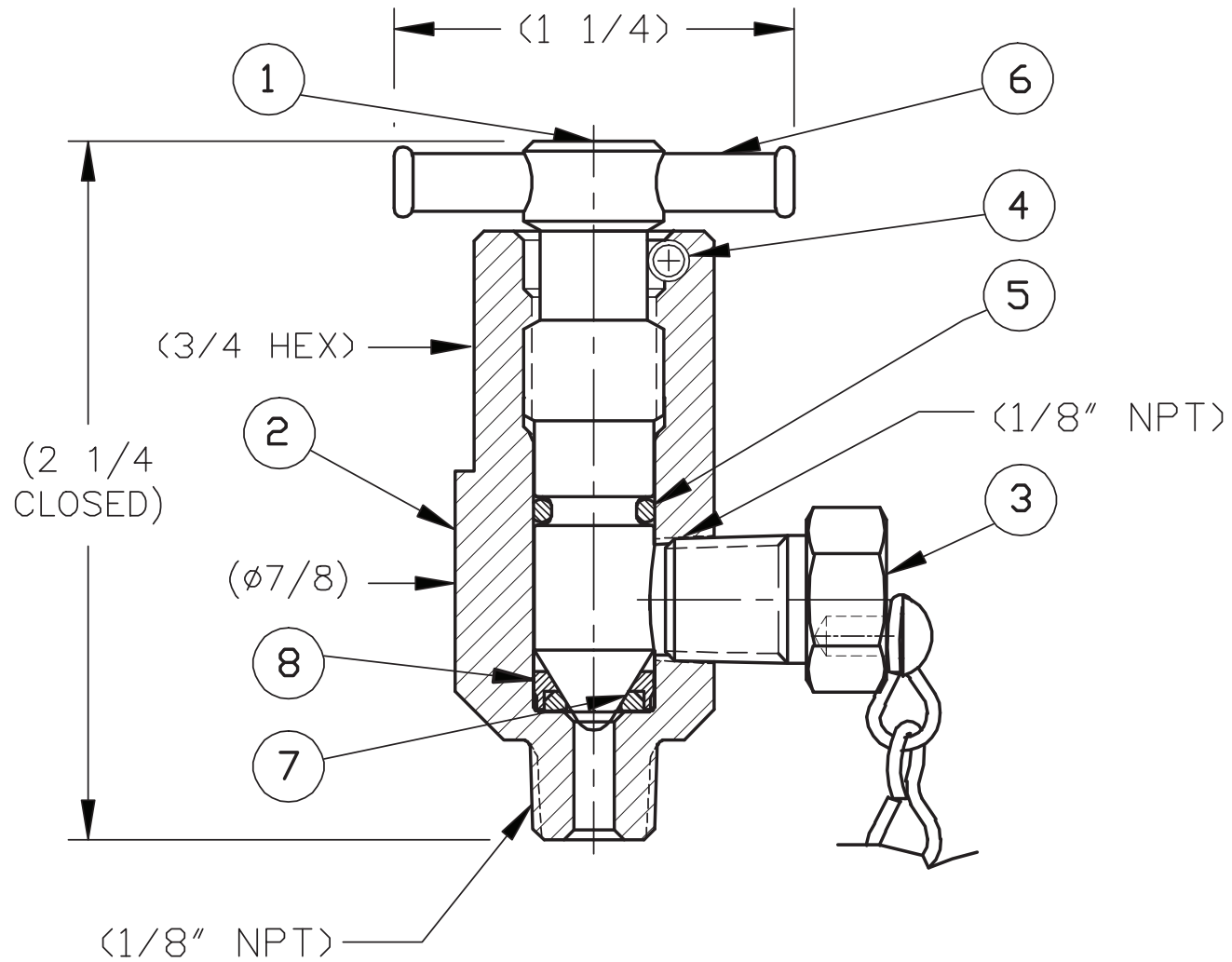


Model A-251 Series

1/8" Needle Valves



Model A-251 Series

1/8" Needle Valves

Item	Qty	Part Name	A-251-SS		A-251-MO		A-251-ML	
			Material	Part No.	Material	Part No.	Material	Part No.
1	1	Stem	Stainless Steel	253-1-SS	Stainless Steel	253-1-MO	Hast C 22	253-1-HC
2	1	Body	Stainless Steel	251-2-SS	Stainless Steel	251-2-MO	Monel	251-2-ML
3	1	Plug w/Chain Assembly	Stainless Steel	18-SS-19-05-6-SS-KR	Stainless Steel	18-MO-19-05-6-SS-KR	Monel	18-ML-19-05-6-SS-KR
4	2	Pin	Stainless Steel	253-4-SS	Stainless Steel	720-19-MO	Stainless Steel	253-4-SS
5	1	O-Ring	Buna-N (2)	253-5-BN	Buna-N (2)	253-5-BN	Buna-N (2)	253-5-BN
6	1	Handle (1)	Stainless Steel	251-61-SS	Stainless Steel	251-61-SS	Stainless Steel	251-61-SS
7	1	Seat	Teflon	254-7-TF	Teflon	254-7-TF	Teflon	254-7-TF
8	1	Retainer	Stainless Steel	254-8-SS	Stainless Steel	254-8-MO	Hast C 22	254-8-HC

NOTE: (1) Assembled to Stem.

(2) Alternative Material Available