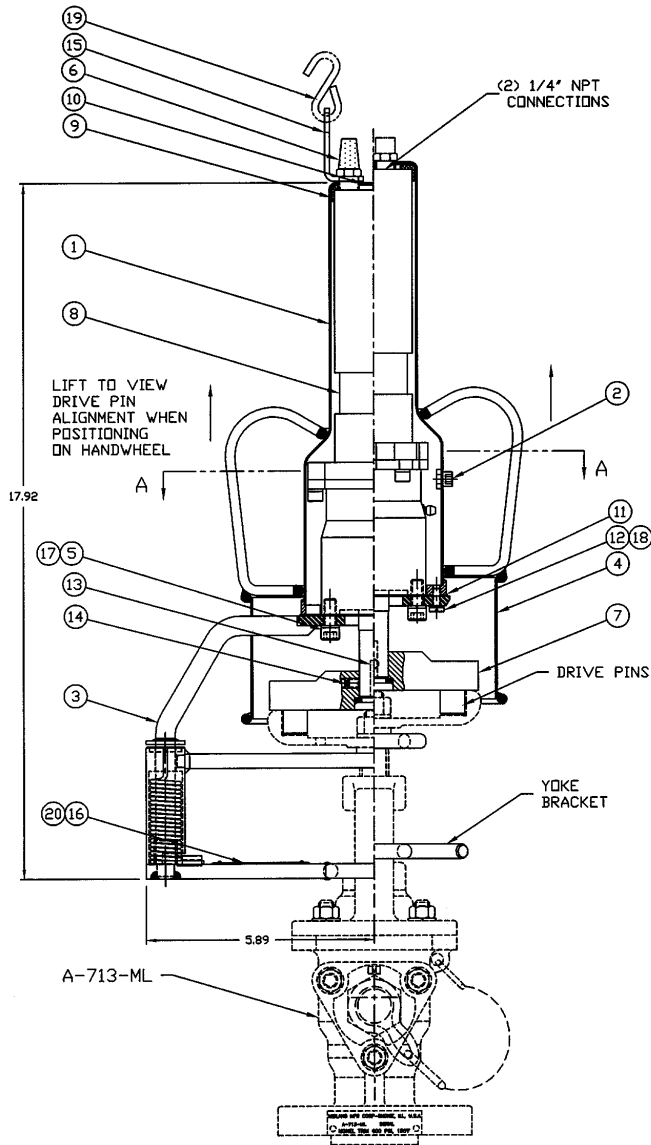


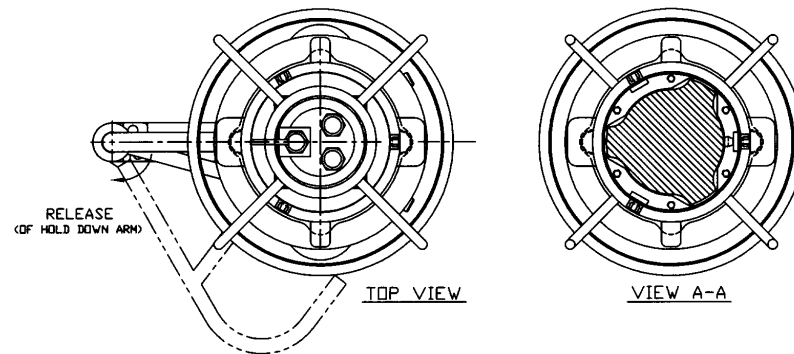
VALVE ACTUATOR SYSTEMS
**1" ANGLE VALVE ACTUATOR
 USED WITH A-713, A-715 ANGLE VALVE**

© 2002 Midland Manufacturing Corp.
 All designs subject to change without notice. Installation dimensions and mounting arrangements are for general information. Certified drawings are available upon re



ITEM	QTY.	PART NAME	MATERIAL	PART NO.
1	1	MOTOR COVER ASSEMBLY	STAINLESS	3713-101-MO
2	3	SOCKET HEAD CAP SCREW	STAINLESS	3713-102-SS
3	1	BRACKET ASSEMBLY	MONEL	3713-103-ML
4	1	COUPLER GUARD-ASSEMBLY	STAINLESS	3713-104-MO
5	6	CAP SCREW	STAINLESS	3713-115-SS
6	1	EXHAUST SILENCER	BRASS	3713-118-BR
7	1	COUPLING	STAINLESS	3713-107-SS
8	1	AIR MOTOR	STEEL/ALUMINUM	3713-108-XS
9	1	GASKET	VITON	3713-109-VA
10	1	WASHER	STAINLESS	3713-110-SS
11	1	GASKET	VITON	3713-111-VA
12	6	PAN HEAD SCREW	STAINLESS	3713-116-SS
13	1	KEY	STAINLESS	3722-304-SS
14	2	SET SCREW	STAINLESS	3713-114-SS
15	1	LIFT TANG	STAINLESS	3713-117-MO
16	1	NAMEPLATE	STAINLESS	3713-16-SS
17	6	LOCKWASHER	STAINLESS	3713-1152-SS
18	6	LOCKWASHER	STAINLESS	3713-1162-SS
19	1	S-HOOK	STAINLESS	429-1001-SS
20	2	DRIVE SCREW	STAINLESS	763-11-SS

NOTE: Items 3, 4 & 7 should be replaced as a set on assemblies made before 6/96
 PATENTS 5,257,771 AND 5,340,078



TO PLACE AN ORDER, OR JUST ASK A QUESTION, CALL (847) 677 - 0333 OR FAX (847) 677 - 0138

REVISION 4.0

7/19/98