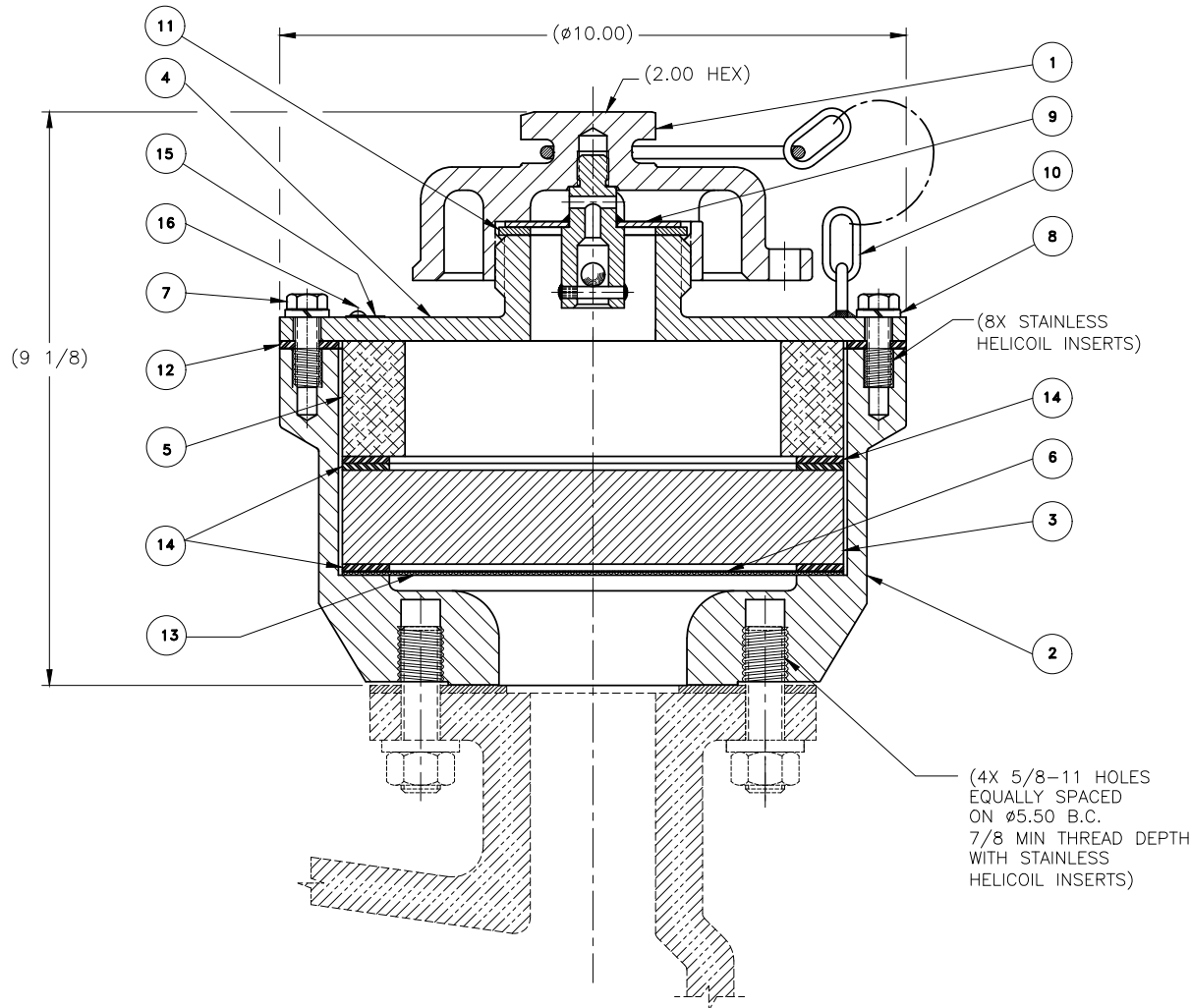


# A-441-AL-CV

## Air Filter and Breather Vent Assembly



Item	Qty	Part Name	Material	Part No.
1	1	Vent Cover	Aluminum 443	441-101-AL
2	1	Base	Aluminum 6061-T6511	441-22-AL
3	1	Filter	Ceramic	441-3-FL
4	1	Retainer	Stainless Steel	441-4-SS-PA (2)
5	1	Spacer	Aluminum 6061-T6511	441-5-AL
6	1	Mesh Screen	Stainless Steel	441-6-SS
7	8	Bolt	Stainless Steel	441-7-SS
8	8	Lockwasher	Stainless Steel	15-17-SS
9	1	Check Valve	Stainless Steel	A-114-BV
10	1	Chain	Stainless Steel	441-101-SS
11	1	Top Gasket	Koro Seal	441-11-KS
12	1	Flange Gasket	Koro Seal	441-12-KS
13	1	Support Screen	Stainless Steel	441-61-SS
14	3	Filter Gasket	Viton A	441-14-VA
15	1	Nameplate	Stainless Steel	441-88-SS
16	2	Drive Screw	Stainless Steel	763-11-SS

NOTE: (1) Out Flow Rating of Check Valve 3.2 SCFM Air.  
Parts Passivated Per ASTM A967 & Tested Per ASTM A380. (-PA)

For Use on Trucks

NOT FOR USE ON RAILWAY TANK CARS