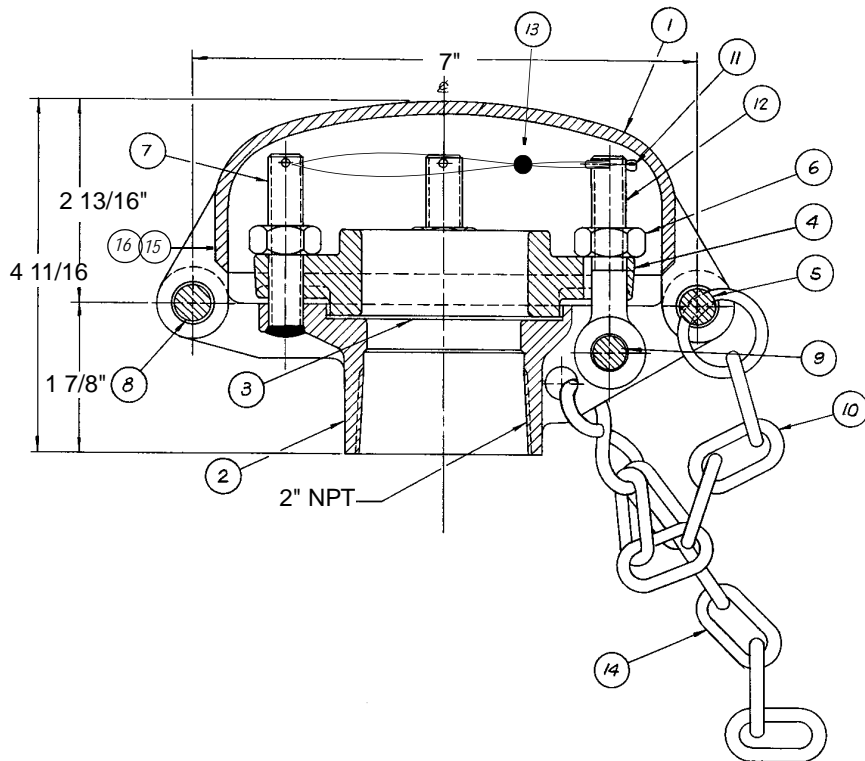


© 2002 Midland Manufacturing Corp.

All designs subject to change without notice. Installation dimensions and mounting arrangements are for general information. Certified drawings are available upon request.



ITEM NO.	QTY.	PART NAME	A-425		A-427		A-429	
			MATERIAL	PART NO.	MATERIAL	PART NO.	MATERIAL	PART NO.
1	1	TOP	MALL. IRON	425-1-MI	MALL. IRON	425-1-MI	STAINLESS	429-1-SS
2	1	BASE	STEEL	425-2-CS	STAINLESS	427-2-SS	STAINLESS	427-2-SS
3	1	DISC <sup>(2)</sup>	STAINLESS	425-3-SS	STAINLESS	425-3-SS	STAINLESS	425-3-SS
4	1	RETAINER	DUCTILE IRON	425-4-DI	DUCTILE IRON	425-4-DI	STAINLESS	429-4-SS
5	1	SWING PIN	SS/STEEL	425-5-XS	SS/STEEL <sup>(1)</sup>	425-5-XS	STAINLESS	425-5-SS
6	4	NUT	STEEL	425-6-CS	STEEL <sup>(1)</sup>	425-6-CS	STAINLESS	429-6-SS
7	3	STUD	STEEL	425-7-CS	STEEL <sup>(1)</sup>	425-7-CS	STAINLESS	429-7-SS
8	1	HINGE PIN	STEEL	425-8-CS	STEEL	425-8-CS	STAINLESS	429-8-SS
9	1	EYE BOLT PIN	STEEL	425-9-CS	STEEL	425-9-CS	STAINLESS	425-9-SS
10	1	CHAIN	STEEL	24-3-CS	STEEL	24-3-CS	STEEL <sup>(1)</sup>	24-3-CS
11	4	COTTER PIN	STAINLESS	545-28-SS	STAINLESS	545-28-SS	STAINLESS	545-28-SS
12	1	EYE BOLT	STEEL	425-12-CS	STEEL <sup>(1)</sup>	425-12-CS	STAINLESS	429-12-SS
13	1	SEAL <sup>(2)</sup>	SS/LEAD	425-13-XS	SS/LEAD	425-13-XS	SS/LEAD	425-13-XS
14	1	TANK CHAIN <sup>(2)</sup>	STEEL	425-14-CS	STEEL <sup>(1)</sup>	425-14-CS	STEEL <sup>(1)</sup>	425-14-CS
15	2	SCREW/RIVET	STAINLESS	763-11-SS	STAINLESS	763-11-SS	STAINLESS	424-15-SS
16	1	NAMEPLATE	STAINLESS	424-16-SS	STAINLESS	424-16-SS	STAINLESS	424-16-SS

NOTE: 1 Alternate material available. 2 Not furnished unless requested.

FLOW CAPACITY WITHOUT RUPTURE DISC INSTALLED	
TANK PRESSURE (PSIG)	FLOW RATE (SCFM)
85	5611
181	11096

FLOW CAPACITY WITH STAINLESS STEEL STANDARD TANK CAR RUPTURE DISC INSTALLED	
TANK PRESSURE (PSIG)	FLOW RATE (SCFM)
85	4836
181	9561



TO PLACE AN ORDER, OR JUST ASK A QUESTION, CALL (847) 677 - 0333 OR FAX (847) 677 - 0138

REVISION 4.0

8/12/05