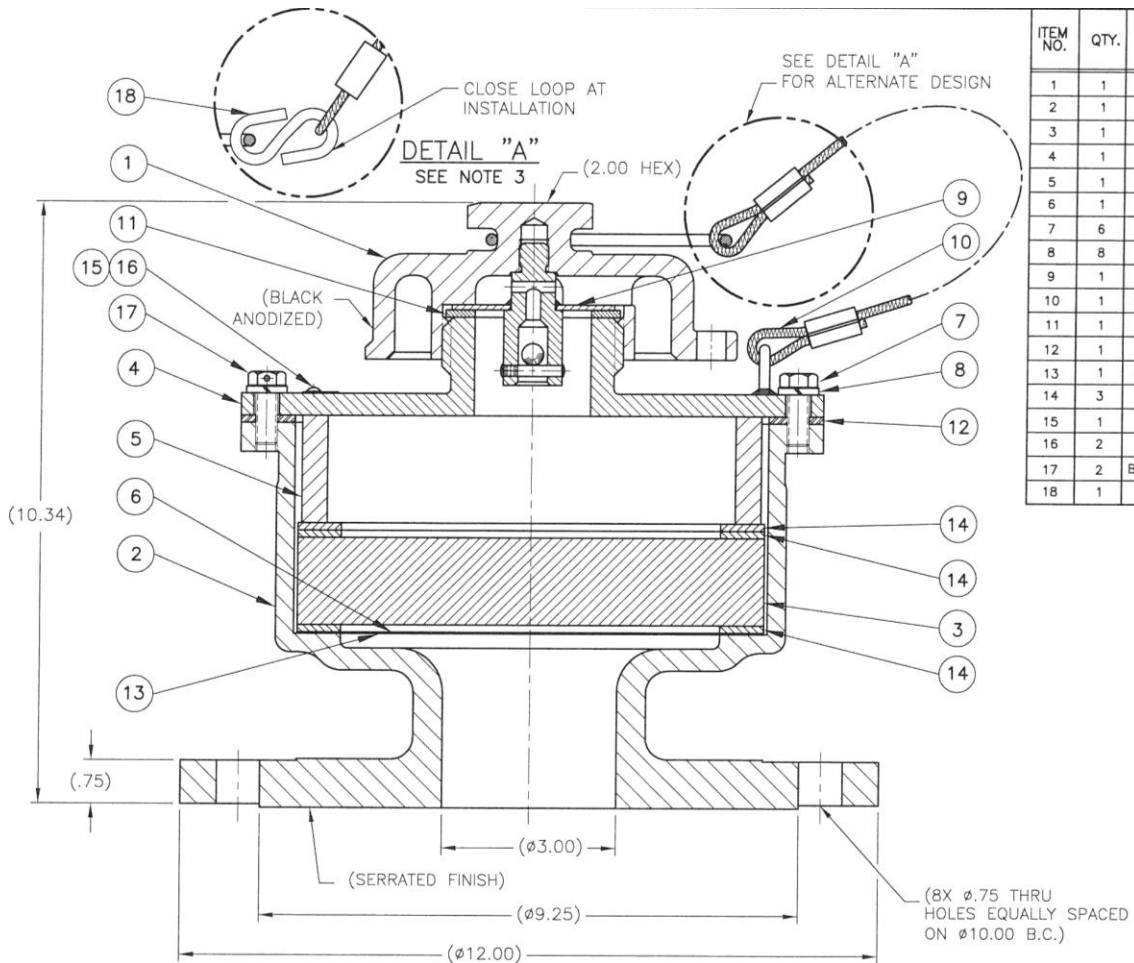


A-441-F3-SS-CV



ITEM NO.	QTY.	PART NAME	MATERIAL	A-441-F3-SS-CV		A-441-F3-SS-CV-PRA	
				PART NO.	NOTE	PART NO.	NOTE
1	1	VENT COVER	ALUMINUM 443	441-101-AL	2	441-101-AL	2
2	1	BASE	STAINLESS TYPE 316	441-27-MO		441-27-MO-PRA	4
3	1	FILTER	CERAMIC	441-3-FL	2	441-3-FL	2
4	1	RETAINER	STAINLESS STEEL	441-4-SS		441-4-SS	
5	1	SPACER	ALUMINUM	441-5-AL	2	441-5-AL	2
6	1	MESH SCREEN	STAINLESS STEEL	441-6-SS	2	441-6-SS	2
7	6	BOLT	STAINLESS STEEL	441-7-SS		441-7-SS	
8	8	LOCKWASHER	STAINLESS STEEL	15-17-SS		15-17-SS	
9	1	CHECK VALVE	STAINLESS STEEL	A-114-BV	2	A-114-BV	2
10	1	CABLE ASSEMBLY	STAINLESS STEEL	441-9-SS		441-9-SS	
11	1	TOP GASKET	KORO SEAL	441-11-KS	1, 2	441-11-KS	1, 2
12	1	FLANGE GASKET	KORO SEAL	441-12-KS	1	441-12-KS	1
13	1	SUPPORT SCREEN	STAINLESS STEEL	441-61-SS	2	441-61-SS	2
14	3	FILTER GASKET	VITON A	441-14-VA	1, 2	441-14-VA	1, 2
15	1	NAMEPLATE	STAINLESS STEEL	441-86-SS	2	441-87-SS	2
16	2	DRIVE SCREW	STAINLESS STEEL	763-11-SS	2	763-11-SS	2
17	2	BOLT W/SEAL HOLE	STAINLESS STEEL	441-71-SS	2	441-71-SS	2
18	1	S-HOOK	STAINLESS STEEL	429-1001-SS	2, 3	429-1001-SS	2, 3

NOTES:

1. ALTERNATE MATERIAL AVAILABLE.
2. IF CONVERTING FROM -GT TO -CV THESE PARTS ARE INCLUDED IN REBUILD KIT PT. NO. K-441-CV.
3. S-HOOK IS USED WHEN INSTALLING REBUILD KIT VENT COVER.
4. PRACTICE A CERTIFIED.
5. OUT FLOW RATING OF CHECK VALVE 3.2 SCFM AIR.

AAR PRD072001