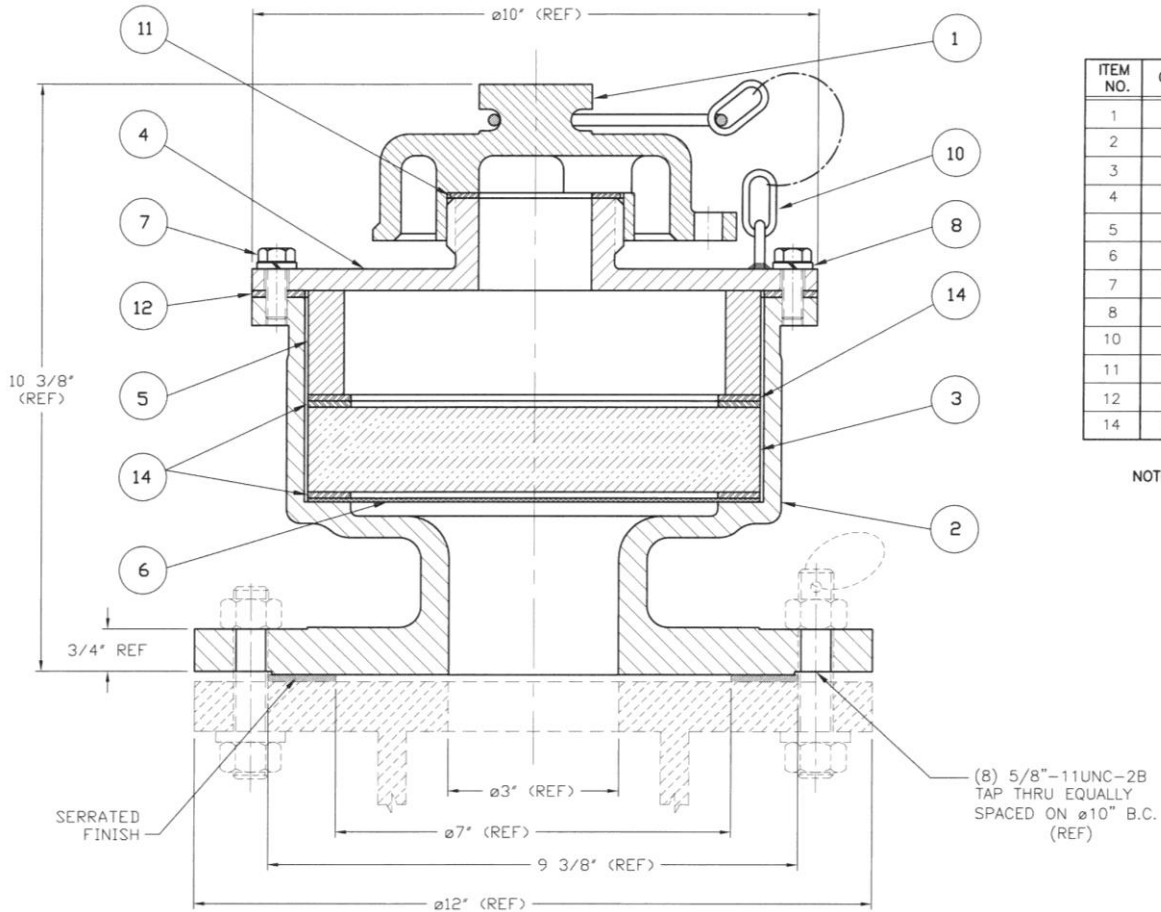


# A-441-F1-SS



ITEM NO.	QTY.	PART NAME	MATERIAL	PART NO.
1	1	TOP	ALUMINUM 443	441-1-AL
2	1	BASE	STAINLESS TYPE 316	441-23-MO
3	1	FILTER	CERAMIC (1)	441-3-FL
4	1	RETAINER	STAINLESS STEEL	441-4-SS
5	1	SPACER	STAINLESS STEEL	441-5-SS
6	1	SCREEN	STAINLESS STEEL	441-6-SS
7	8	BOLT	STAINLESS STEEL	441-7-SS
8	8	LOCKWASHER	STAINLESS STEEL	15-17-SS
10	1	CHAIN	STAINLESS STEEL	441-101-SS
11	1	TOP GASKET	KORO SEAL (1)	441-11-KS
12	1	FLANGE GASKET	KORO SEAL (1)	441-12-KS
14	3	FILTER GASKET	VITON A (1)	441-14-VA

NOTE: (1) ALTERNATE MATERIAL AVAILABLE.

AAR PRD142004