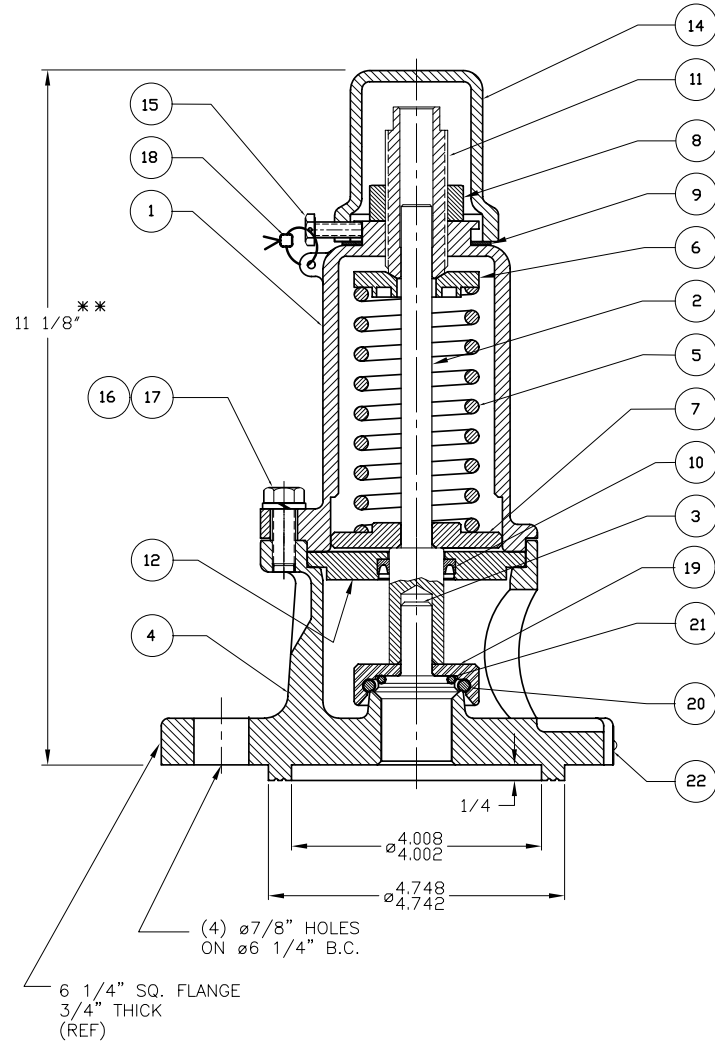


Model A-1700 Series

Pressure Relief Valves - Top Style



Item	Qty	Part Name	A-1775 thru A-17450 Stainless Trim		A-1779 thru A-17454 Stainless Steel	
			Material	Part No.	Material	Part No.
1	1	Top Guide	Steel	15-1-CS	Stainless Steel	15-1-SS
2	1	Stem	Stainless Steel	17-2-SS	Stainless Steel	17-2-SS
3	1	Plug	Stainless Steel	17-3-SS	Stainless Steel	17-3-SS
4	1	Body	Steel	15-4-STD-CS	Stainless Steel	15-4-STD-MO
5	1	Spring	Stainless Steel	See Table	Stainless Steel	See Table
6	1	Follower	Steel	14-6-CS	Stainless Steel	14-6-SS
7	1	Guide	Stainless Steel	15-7-SS	Stainless Steel	15-7-SS
8	1	Top Nut	Steel	15-8-CS	Steel*	15-8-CS
9	1	Top Gasket	Buna-N*	15-9-BN	Buna-N*	15-9-BN
10	1	Shaft Seal	Teflon	17-10-TF	Teflon	17-10-TF
11	1	Adjustment Screw	Stainless Steel	15-11-SS	Stainless Steel	15-11-SS
12	1	Seal Retainer	Steel	17-12-CS	Stainless Steel	17-12-SS
13	1					
14		Cap**	Stainless Steel	15-14-SS	Stainless Steel*	15-14-SS
15	1	Cap Screw	Steel	15-15-CS	Steel*	15-15-CS
16	3	Bolt	Steel	15-16-CS	Stainless Steel	15-16-SS
17	3	Lockwasher	Steel	15-17-CS	Stainless Steel	15-17-SS
18	1	Wire Seal	Lead/SS Wire	22-72-PB	Lead/SS Wire	22-72-PB
19	1	Retainer	Stainless Steel	17-19-SS	Stainless Steel	17-19-SS
20	1	Seal "O" Ring	Buna-N*	10-10-BN	Buna-N*	10-10-BN
21	1	Plug "O" Ring	Buna-N*	10-11-BN	Buna-N*	10-11-BN
22	1	Nameplate	Stainless Steel	See Table	Stainless Steel	See Table

NOTES: * Alternate Material Available; ** With 14-14-SS Cap. This dimension is 10 3/16"

Pressure Setting (PSIG)	Flow Rate (SCFM)	Spring Part Number	A-1775 thru A-17450		A-1779 thru A-17454	
			Valve Part No.	Nameplate Part No.	Valve Part No.	Nameplate Part No.
75	1340	15-75-MO	A-1775	17-24-SS	A-1779	17-28-SS
150	1960	15-150-MO	A-17150	17-25-SS	A-17154	17-29-SS
165	2827	15-165-SS	A-17165	17-44-SS	A-17169	17-48-SS
225	3250	15-225-SS	A-17225	17-26-SS	A-17229	17-30-SS
247.5	3368	15-300-SS	A-17247	17-45-SS	A-17251	17-49-SS
255	3933	15-225-SS	A-17255	17-38-SS	A-17259	17-259-SS
280.5	3782	15-300-SS	A-17280	17-46-SS	A-17284	17-51-SS
300	4002	15-300-SS	A-17300	17-34-SS	A-17304	17-35-SS
330	3935	15-375-SS	A-17330	17-47-SS	A-17334	17-52-SS
375	3646	15-375-SS	A-17375	17-36-SS	A-17379	17-379-SS
450	4198	15-450-SS	A-17450	17-40-SS	A-17454	17-41-SS