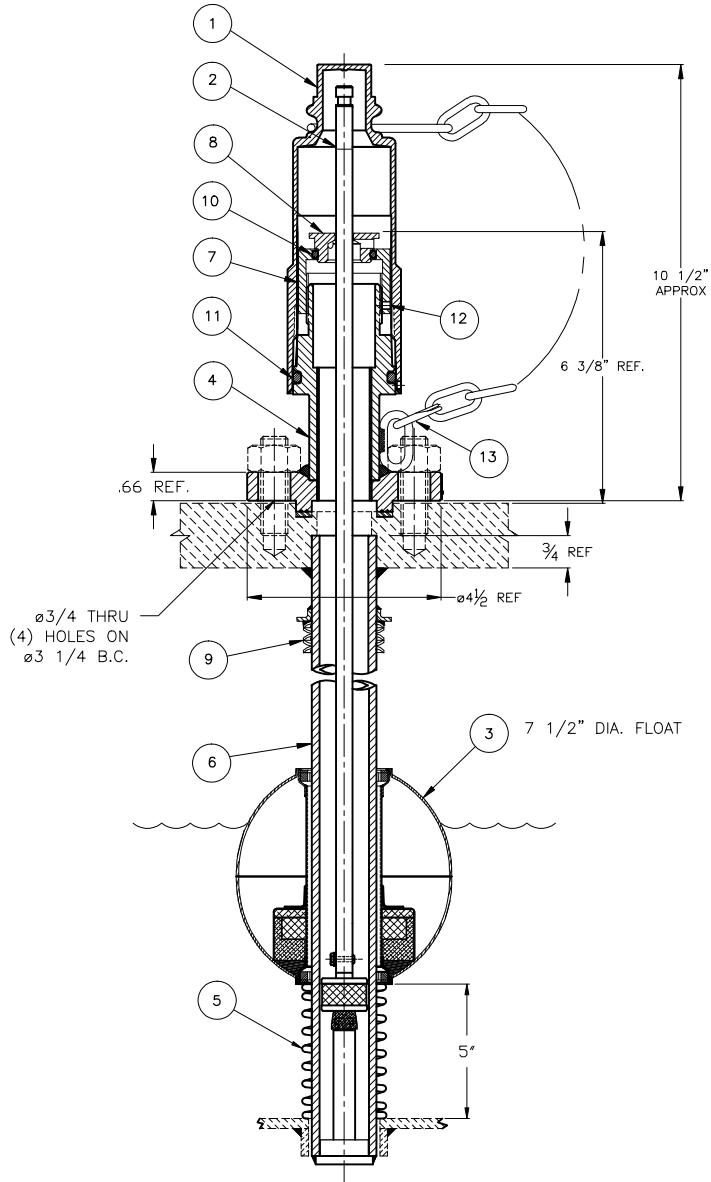


Model B-612-S

Gaging Device



Item	Qty	Part Name	Material	Part No.
1	1	Cover with Chain	Stainless Steel	612-103-SS
2	1	Gage Rod Assembly (1)	Carbon Fiber	612-2-PE
3	1	Float Assembly (2)	Stainless Steel	612-3008-MOL
4	1	Body Assembly	Steel, Plated	612-451-CS
5	1	Bottom Spring	Stainless Steel	612-5-MOL
6	1	Guide Tube Assembly (3)	Stainless Steel	612-6-SS
7	1	Installation Correction Nut	Stainless Steel	612-71-SS
8	1	Specific Gravity Adjustment Bushing	Plastic	612-84-PS
9	1	Top Wave Spring Assembly	Stainless Steel	612-528-SS
10	1	O-Ring	Silicone	612-10-SI
11	1	O-Ring (5)	Buna-N	612-11-BN
12	1	Set Screw	Stainless Steel	612-12-SS
13	1	Repair Link	Stainless Steel	24-12-SS

O-RING TABLE	
SUFFIX	O-RING PART NUMBER
BN	612-11-BN
VA	612-11-VA
VB	612-11-VB
VG	612-11-VG
EP	612-11-EP
EPDM	612-11-EPDM
NE	612-11-NE
KZ	612-11-KZ

NOTES:

1. LENGTH, SCALE AND CALIBRATION PER APPLICATION.
2. FLOAT DIAMETER OF 7 1/2".
3. LENGTH PER APPLICATION.
4. NAMEPLATES LOCATED ON FLANGE AND INSTALLATION CORRECTION NUT.
5. FOR ALTERNATE MATERIAL SEE O-RING TABLE.