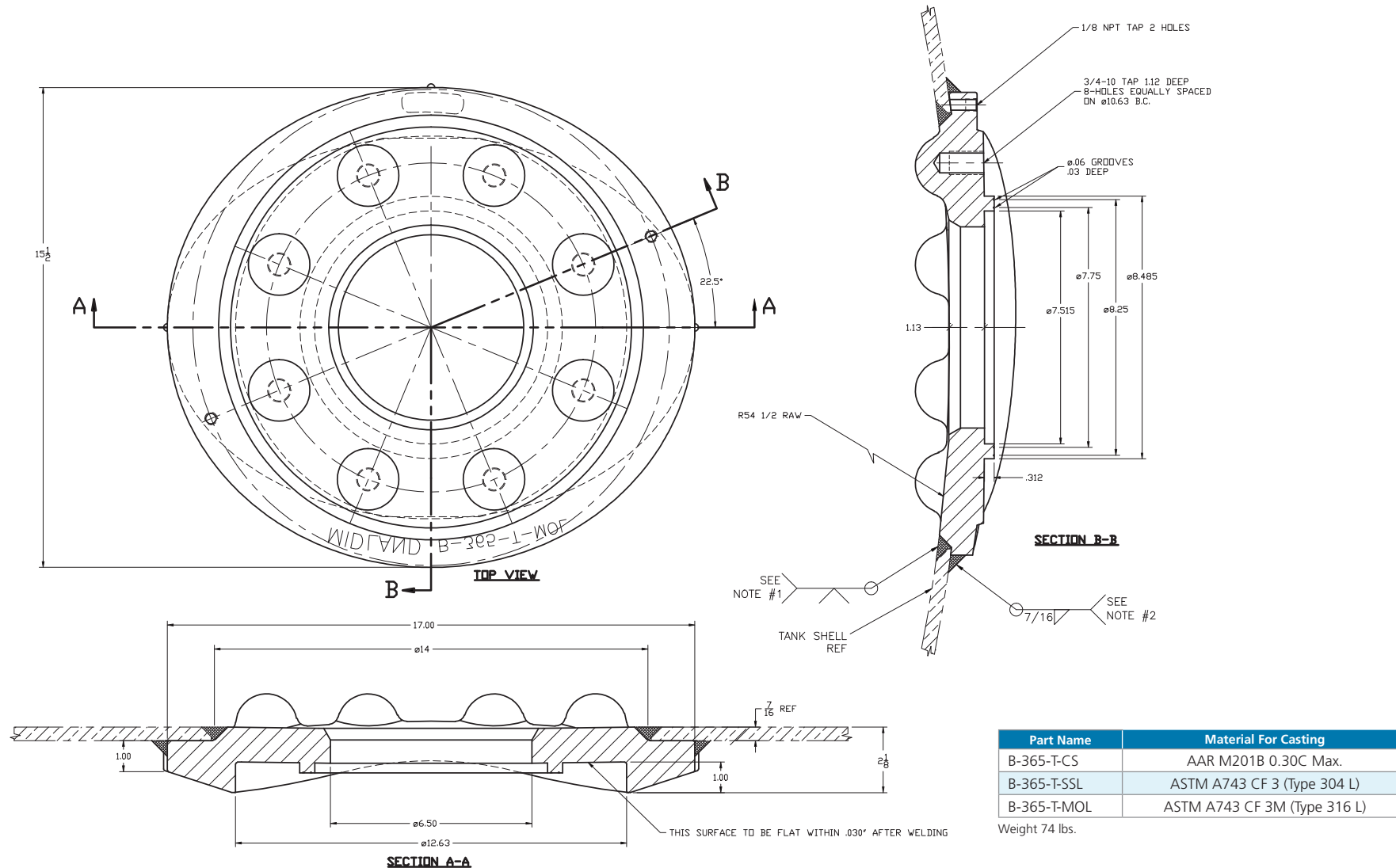


Model B-365-T Series

6" Bottom Outlet Valve Saddle



NOTE: (1) Weld Strength Properties to be per AAR M1002, Appendix E, Paragraph 10.1.2
 (2) Weld Fillet Dimensions are for a 7/16" Thick Wall of ASTM A516, Grade 70 Steel using E7018 Weld Filler Material. Greater Tank Wall Thickness or Higher Strength Tank Material Require Additional Reinforcement Calculations.

Revision Date: May 6, 2021