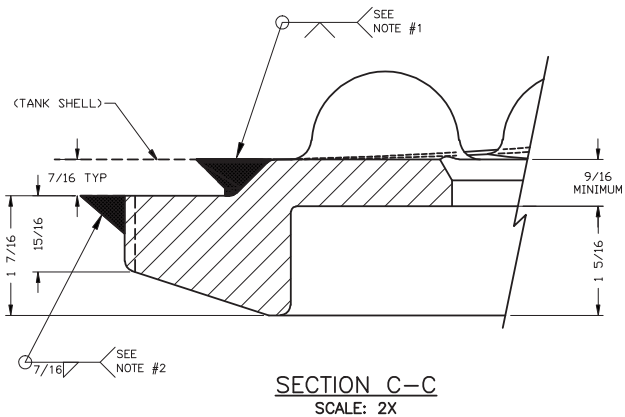
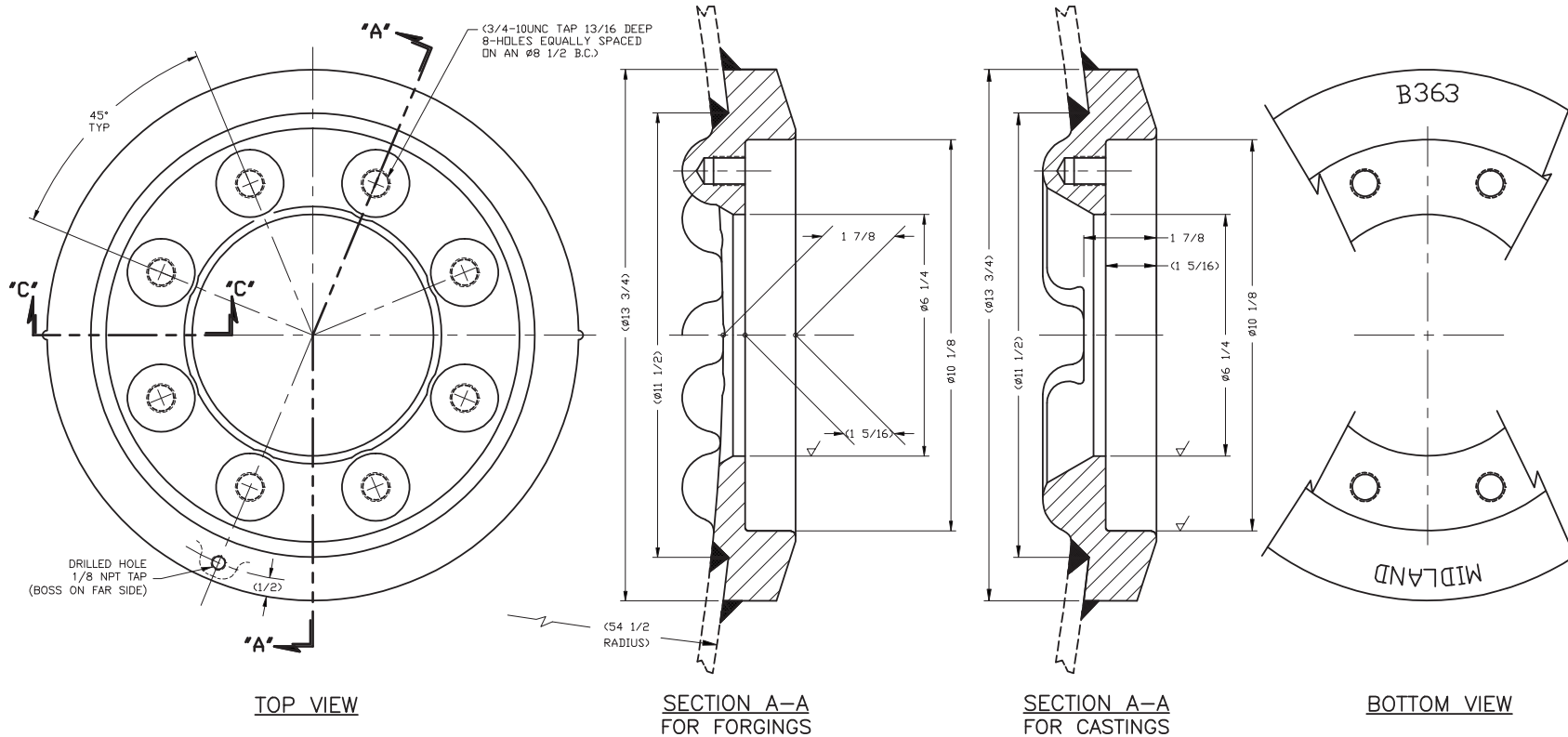


# Model B-363 Series

## Bottom Outlet Valve Saddle



Part Name	Material For Casting	Part No.
B-363-CS	Steel AAR M 201 B	ASTM A105
B-363-SSL	Stainless ASTM A743 CF3	—
B-363-MOL	Stainless ASTM A743 CF3M	—

Weight 46 lbs. for Casting, 40 lbs. for Forgings

NOTE: (1) Weld Strength Properties to be per AAR M1002, Appendix E, Paragraph 10.1.2  
(2) Weld Fillet Dimensions are for a 7/16" Thick Wall of ASTM A516, Grade 70 Steel using E7018 Weld Filler Material. Greater Tank Wall Thickness or Higher Strength Tank Material Require Additional Reinforcement Calculations.

Revision Date: May 6, 2021