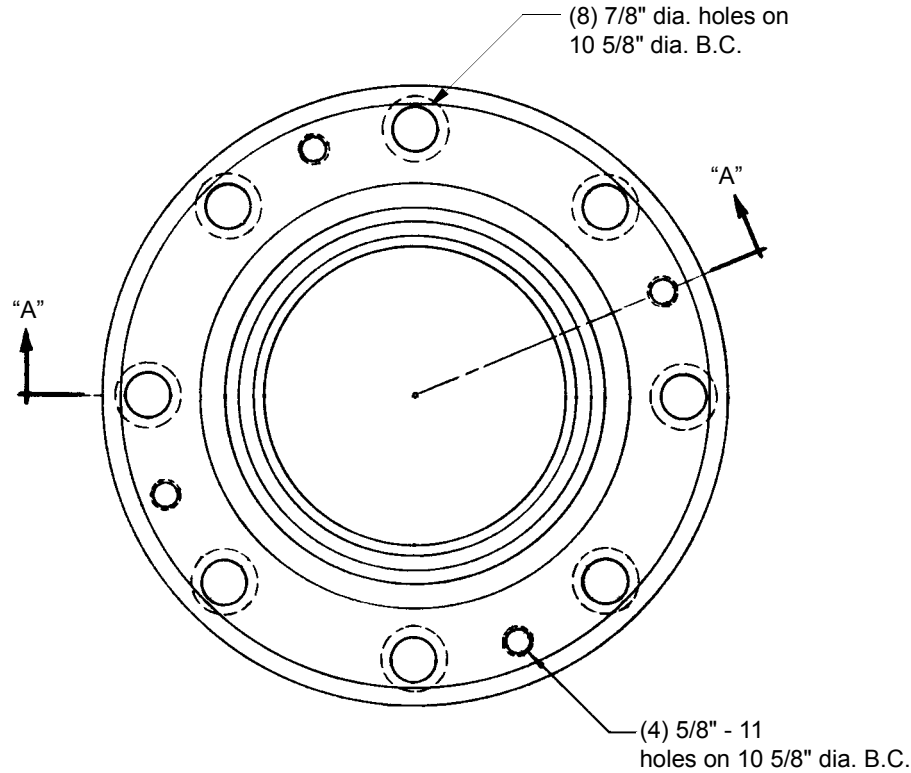


**BOTTOM EQUIPMENT  
ADAPTER FLANGE - ACF VALVE**

© 2002 Midland Manufacturing Corp.

All designs subject to change without notice. Installation dimensions and mounting arrangements are for general information. Certified drawings are available upon request.



PART NO.	MATERIAL
376-2-CS	STEEL
376-2-SS	STAINLESS

ASSOCIATED HARDWARE		
QTY	PART NO.	PART NAME
1	547-33-BN(1)	"O" RING
8	375-2-AS	CAPSCREWS W/LOCKWASHERS

**NOTES:** 1 Alternate material available

