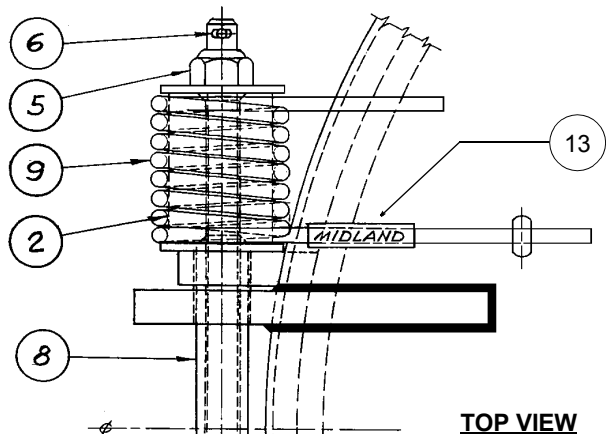


LIFTER ASSISTERS  
TWO SPRINGS

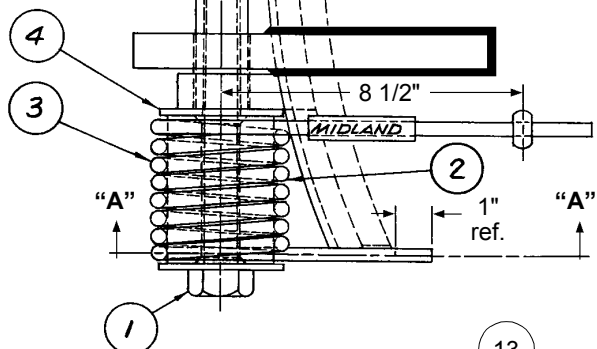
© 2002 Midland Manufacturing Corp.

All designs subject to change without notice. Installation dimensions and mounting arrangements are for general information. Certified drawings are available upon request.

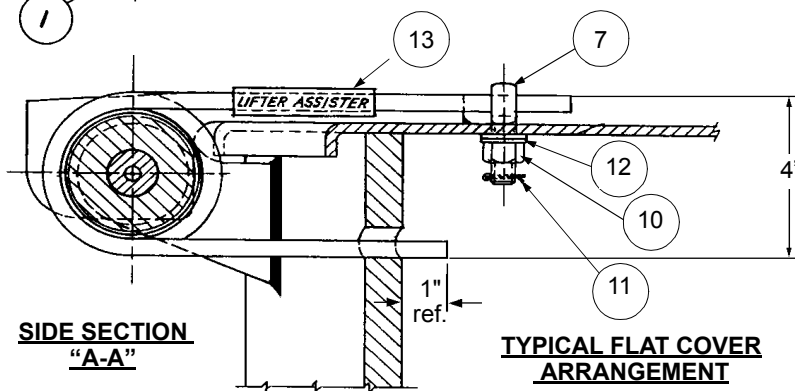


TOP VIEW

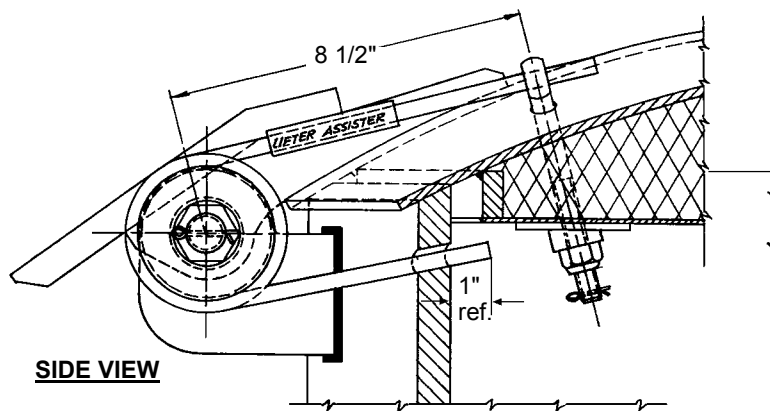
If holes are larger than 1 1/8" dia. see note 2.



SIDE SECTION  
"A-A"



TYPICAL FLAT COVER  
ARRANGEMENT



SIDE VIEW

TYPICAL INSULATED COVER ARRANGEMENT

ITEM NO.	PART NAME	B-304		B-305		B-306	
		PART NO.	QTY.	PART NO.	QTY.	PART NO.	QTY.
1	HINGE BOLT <sup>(3)</sup>	304-1-CS	1	304-1-CS	1	304-1-CS	1
2	BUSHING	303-2-CS	2	303-2-CS	2	303-2-CS	2
3	SPRING R.H.	303-31-CS	1	303-31-CS	1	303-3-CS	1
4	WASHER	303-4-CS	4	303-4-CS	4	303-4-CS	4
5	LOCKNUT	303-5-CS	1	303-5-CS	1	303-5-CS	1
6	COTTER PIN	303-6-SS	1	303-6-SS	1	303-6-SS	1
7	EYEBOLT <sup>(1)</sup>	308-7-CS	2	303-7-CS	2	303-7-CS	2
8	SLEEVE <sup>(2)</sup>	303-8-CS	1	303-8-CS	1	303-8-CS	1
9	SPRING L.H.	303-34-CS	1	303-33-CS	1	303-33-CS	1
10	LOCKNUT	308-11-CS	2	308-11-CS	2	308-11-CS	2
11	COTTER PIN	308-13-SS	2	308-13-SS	2	308-13-SS	2
12	WASHER	308-12-CS	4	308-12-CS	4	308-12-CS	4
13	NAMEPLATE	303-32-PS	2	303-32-PS	2	303-32-PS	2

NOTES:

1. For insulated cover use longer eyebolt part no. 303-71-CS.
2. Optional. Specify length and diameter if sleeve is required.
3. Various lengths available.
4. Use form 304-35 for lifter assister application data.

PART NO.	ASSIST AT HANDLE FOR 36" DIA. COVER
B-304	44 LBS. (APPROX.)
B-305	66 LBS. (APPROX.)
B-306	88 LBS. (APPROX.)



TO PLACE AN ORDER, OR JUST ASK A QUESTION, CALL (847) 677 - 0333 OR FAX (847) 677 - 0138

REVISION 4.0

1/30/02