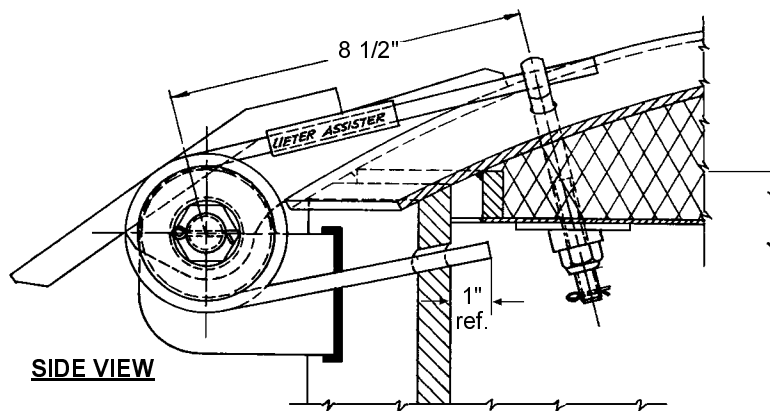
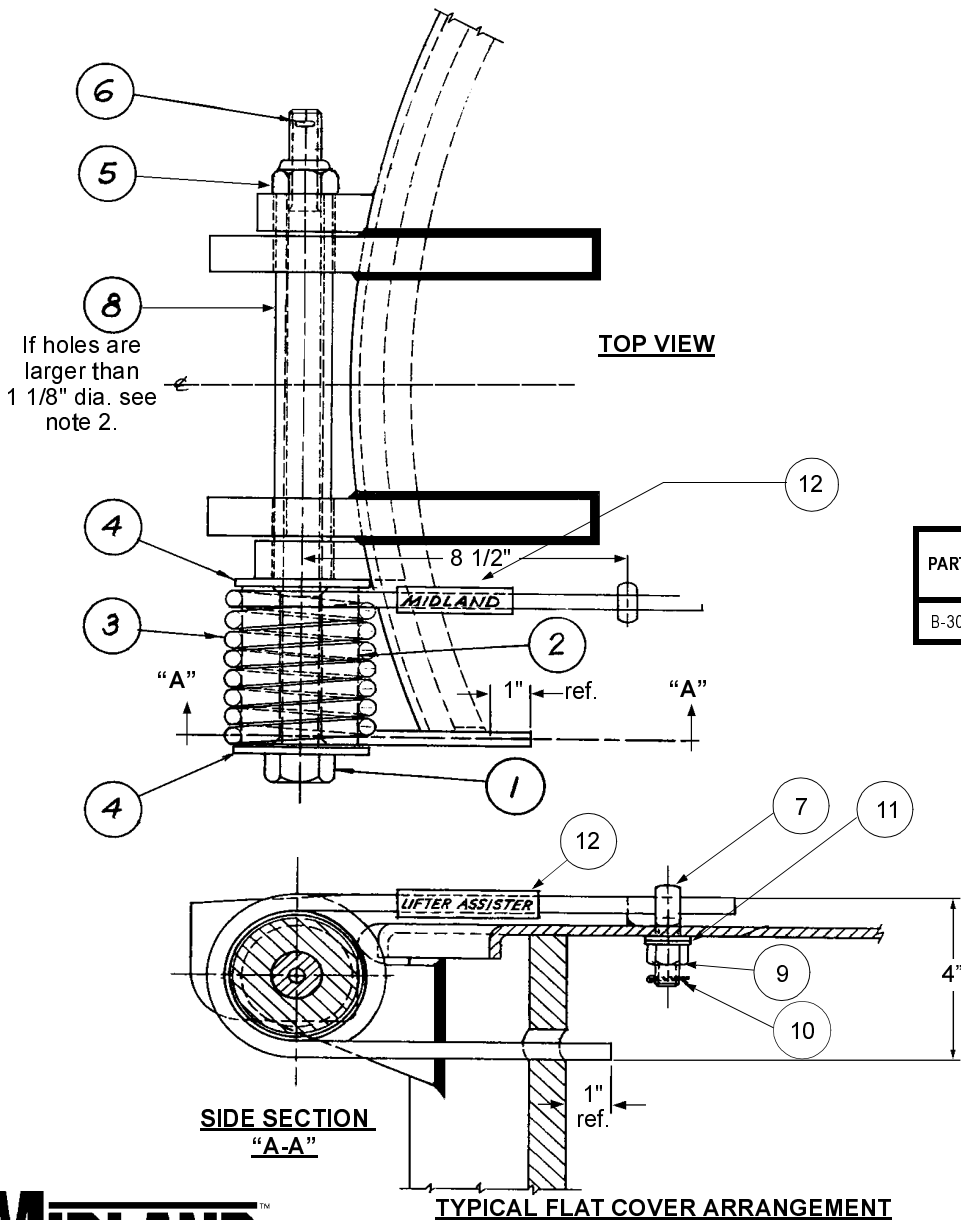


© 2002 Midland Manufacturing Corp.

All designs subject to change without notice. Installation dimensions and mounting arrangements are for general information. Certified drawings are available upon request.

ONE SPRING



TYPICAL INSULATED COVER ARRANGEMENT

PART NO.	ASSIST AT HANDLE FOR 36" DIA. COVER
B-302-SS	22 LBS. (APPROX.)

ITEM NO.	PART NAME	QTY	B-302-SS SERIES	
			B-302-SS-R	B-302-SS-L
1	HINGE BOLT ^{(3),(5),(6)}	1	303-1-SS	303-1-SS
2	BUSHING	1	303-2-SS	303-2-SS
3	SPRING	1	303-31-SS	303-34-SS
4	WASHER	2	303-4-SS	303-4-SS
5	LOCKNUT	1	303-5-SS	303-5-SS
6	COTTER PIN	1	303-6-SS	303-6-SS
7	EYEBOLT	1	308-7-SS	308-7-SS
8	SLEEVE ⁽²⁾	1	303-8-SS	303-8-SS
9	LOCKNUT	1	308-11-SS	308-11-SS
10	COTTER PIN	1	308-13-SS	308-13-SS
11	WASHER	2	308-12-SS	308-12-SS
12	NAMEPLATE	1	303-32-PS	303-32-PS

NOTES:

1. For insulated cover use longer eyebolt part no. 303-71-SS.
2. Optional. Specify length and diameter if sleeve is required.
3. Various lengths available
4. Use form 304-35 for lifter assister application data.
5. For Trinity use hinge bolt part number 306-17-SS.



TO PLACE AN ORDER, OR JUST ASK A QUESTION, CALL (847) 677 - 0333 OR FAX (847) 677 - 0138

REVISION 4.0

1/30/02