

Model A-713 SS

Angle Valve



Technical Specifications

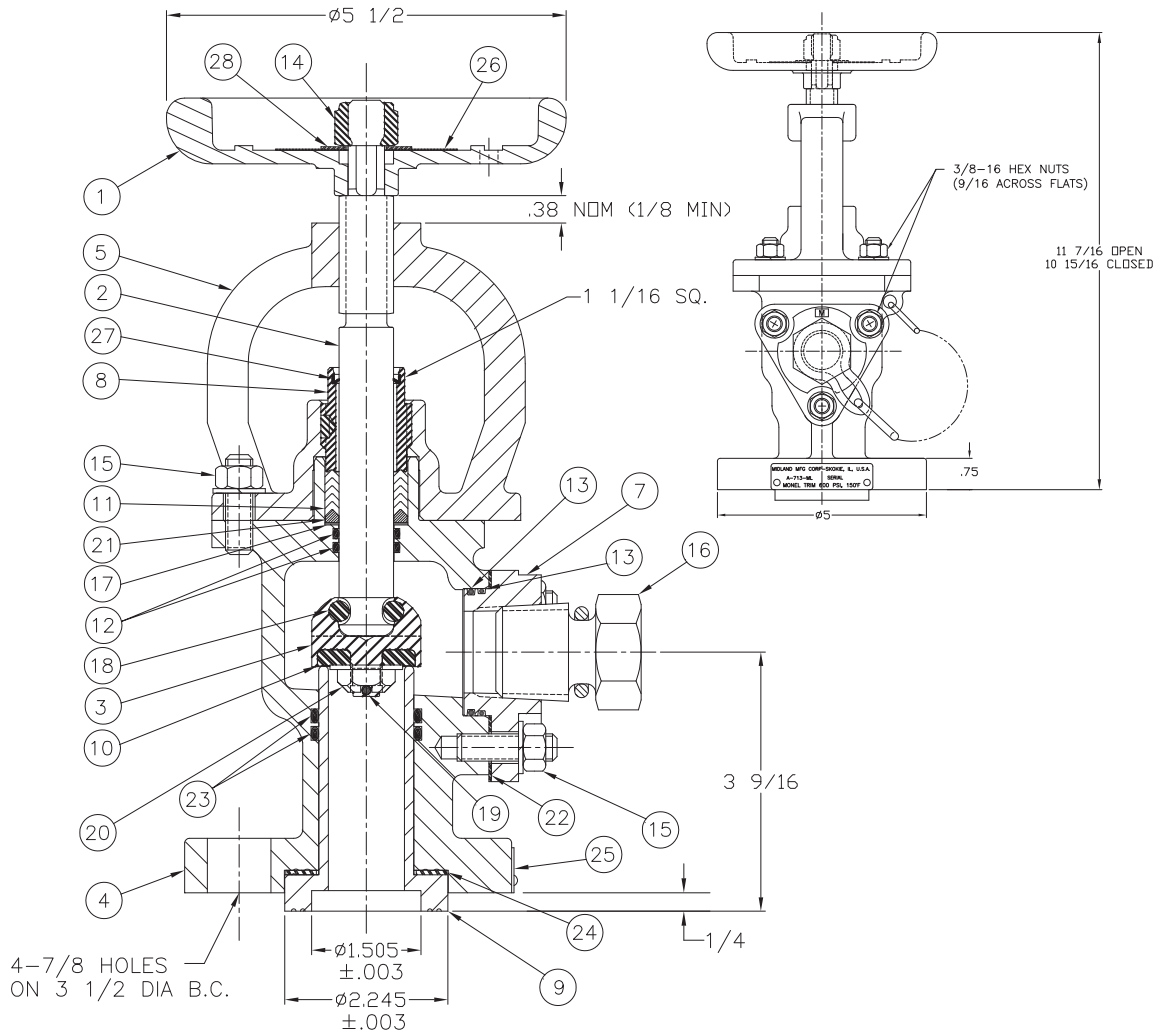
- Maximum Operating Pressure: 600 psig
- Maximum Operating Temperature: 350°F (Limited by elastomeric seals)
- Flow Coefficient (Cv) : 20.1 @ wide open position
- Handwheel Rotation: Clockwise to close
- Normal Handwheel Closing Torque: 20~25 ft-lb (Maximum Torque: 80 ft-lb limited by Shear Feature)
- Stroke: 3/4" Nominal. Stroke: Measurement above 7/8" indicates Seat Seal (Item #9) must be replaced
- Mounting Flange: $\phi 5"$ round X 0.75" thick with four 7/8" holes on $\phi 3-1/2$ B.C.
- Mounting Studs: four $3/4"$ X 3" long (min.) Consult your gasket mfg for required torque values.
- Tongue Dimensions: 2.245" OD X 1.505" ID X 0.375" (0.125" thick gasket required; not furnished with valve)
- Alternate materials of construction available
- AAR Approval No. E092016

Notes

- AAR-approved as an alternate to chlorine
- Chlorine Institute drawings 104 and 105 for chlorine tank cars
- U.S. dot special permit Dot-E 9694 authorizes use on MC 331 cargo tanks
- U.S. Dot USCG approved for barges carrying chlorine per LTR. of 3-13-89

Model A-713 SS

Angle Valve



Item	Qty	Part Name	Material	Part No.
1	1	Handwheel	Cast Iron	713-1-CI
2	1	Stem	Stainless Steel	713-2-SS
3	1	Seal Retainer	Stainless Steel	713-303-SS
4	1	Body	Stainless Steel	713-4-SS
5	1	Bonnet	Stainless Steel	713-5-SS
6	—	—	—	—
7	1	Outlet Flange	NITRONIC 60	713-7-N60
8	1	Packing Screw	NITRONIC 60	713-81-N60
9	1	Body Insert	Stainless Steel	713-9-SS
10	1	Seat Seal	PTFE	713-10-TF
11	5	Packing Ring	PTFE	713-11-TF
12	2	Stem O-Ring	Buna-N*	713-12-BN
13	2	Outlet O-Ring	Buna-N*	713-13-BN
14	1	Nylon Insert Locknut	Stainless Steel	713-14-SS
15a	7	Stud	Monel	713-151-SS
15b	7	Nut	Stainless Steel	713-153-MO
15c	7	Lockwasher	Stainless Steel	713-152-MO
16	1	Pipe Plug & Chain	Nitronic 60	713-162-N60
17	1	Packing Spring	Inconel	713-17-IN
18a	1	U-Bolt	Monel	713-18-ML
18b	2	Locknut	Monel	713-181-ML
19	1	Retainer Pin	Stainless Steel	720-19-SS
20	1	Retainer Nut	Stainless Steel	713-201-SS
21	1	Male Packing Adapter	Stainless Steel	713-21-SS
22	1	Outlet Flange Gasket	Gylon	713-22-GY
23	2	Body O-Ring	Buna-N*	713-23-BN
24	1	Insert Gasket	Gylon	713-24-GY-3510
25	1	Nameplate	Stainless Steel	713-25-SS
26	1	Instruction Plate	Plastic	713-26-PS
27	1	Wiper	PTFE	713-33-TF
28	1	Flat Washer	Stainless Steel	713-141-SS
29	2	Insert	Virgin PTFE	713-82-TF

PATENTED * ALTERNATE MATERIAL AVAILABLE