

## Warranty

All parts and products are thoroughly inspected and tested from the time raw material is received at our plant, until the product is completed. We guarantee that all products are free from defects in materials and workmanship for a period of one year from the date of shipment. Any product that may prove defective within said one year period will, at our discretion, be promptly repaired, replaced or credit given for future orders. This warranty shall not apply to any products that have been altered in any way, which have been repaired by any party other than an authorized service representative, or when such a failure is due to misuse or condition of use. We shall have no liability for labor costs, freight costs or any other costs or charges in excess of the amount of invoice for the products.

**THIS WARRANTY IS IN LIEU OF ALL OTHER WARRANTIES, EXPRESS OR IMPLIED AND SPECIFICALLY THE WARRANTIES OF MERCHANTABILITY AND FITNESS FOR A PARTICULAR PURPOSE.**

### WARNING!!

CIVACON products should be used in compliance with the applicable federal, state and local laws and regulations. Product selection should be based on physical specifications and limitations, compatibility with the environment, and the material being handled.

**CIVACON MAKES NO WARRANTIES OF FITNESS FOR A PARTICULAR PURPOSE.**

### TECHNICAL ASSISTANCE

If at any time during the installation a question arises that is not covered in this manual or with any other applicable documents feel free to call the Customer Service Department or visit our website at [www.civacon.com](http://www.civacon.com).

In the U.S., call 1-888-526-5657  
In all other countries, call your local agent.



## NV3000, NV3000C & NV3000E Pressure/Vacuum Vent Instruction & Test Procedure Manual

P/N: TB05-09

REV. C, NOV 2010



### Product Description

The primary function of the Pressure/Vacuum (PV) vent is to control the pressure and vacuum condition of the tank during operation. The vent is designed to relieve (pop-off) pressure or vacuum due to temperature changes at specified settings. The device is designed with a roll-over shut off feature to seal the tank in an overturn condition. In addition, the vent is standard with a filter/flame arrester

## Manual

The manual contains the inspection, maintenance schedule, and instructions for repairing and replacing parts for all NV3000 Pressure/Vacuum Vents. The following schedule, based on the environmental conditions in the northern United States, is only a recommendation: *Inspection and maintenance intervals must be adjusted according to use and operating conditions.* If any parts are damaged, refer to the *Product Maintenance* section.

## Installation Procedure

1. Remove Existing Vent
2. Apply anti-seize compound to the threads of the new vent
3. Install new vent and hand tighten
4. Using pliers or a wrench, tighten the vent 1/4" to 1/2" turn.

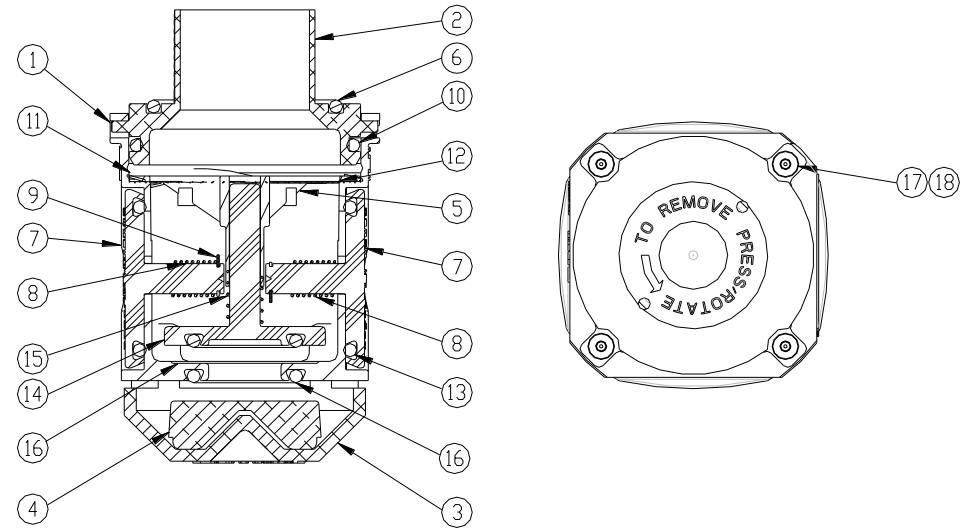
**Do not tighten vent body on the sides where the vacuum poppets are located.**

**This may cause damage to the vent.**

## Product Maintenance

This vent may require maintenance every six months to ensure proper maintenance. If vent is operating in a dirty environment or more aggressive liquids, more frequent maintenance will be required. Test the vent to verify that it is sealing properly. If it is not functioning properly, disassemble vent and clean filter/flame arrestor (7), o-rings (14, 15, 16, and 17), and sealing surfaces with warm soapy water. This device is designed to allow for quick removal of the working portion of the vent from the fill cover. Simply press and rotate the vent counterclockwise and separate the body from the top enclosure. O-rings should be inspected for cuts, swelling, or deterioration. If any of these conditions are found, seals should be replaced. Inspect seal surfaces for scratches or other damage that may lead to improper sealing. If these conditions exist, replace the vent.

**CAUTION: The filter/flame arrestor must be cleaned periodically for safe operation.**



## Bill of Material

ITEM	QTY	DESCRIPTION
1	1	BODY
2	1	TOP ENCLOSURE
3	1	HOUSING SHUTOFF
4	1	CAST INERT VL SHUTOFF
5	1	POPPET GUIDE
6	1	O-RING
7	2	VACUUM POPPET
8	2	VACUUM SPRING
9	2	RETAINING SPRING
10	1	O-RING
11	1	FLAME ARRESTOR
12	1	WAVE SPRING
13	2	O-RING
14	1	PRESSURE POPPET
15	1	PRESSURE SPRING
16	2	O-RING
17	4	SCREW
18	4	LOCK WASHER