

IMPORTANT: Please read all warnings and follow the installation instructions completely and carefully. Failure to do so will void all warranties and may cause product failure, or result in environmental contamination due to liquid leakage into the soil, creating hazardous spill conditions.

WARNING - DANGER

Using electrically-operated equipment near gasoline or gasoline vapors may result in fire or explosion, causing personal injury and property damage. Be sure the working area is free from hazards and always use proper precautions.

IMPORTANT

FlexWorks Vent Piping System must be installed only where permitted and in accordance with all prevailing federal, state, and local codes and approval requirements.

FlexWorks Vent Pipe Couplings are designed to connect FlexWorks vent pipe to the extractor valve on the underground storage tank and to the vent pipe stack.

Step 1

Using gasoline-resistant thread sealant (Rectorseal #5), thread a vent pipe coupling into the extractor fitting and into the elbow to the vent stack riser pipe. Tighten securely. Note: Allow 24 hours for thread sealant to cure before testing.

Step 2

Bed the trench with a minimum of 6" (15 cm) of approved backfill while maintaining a minimum of 3/8" (1 cm) slope per foot (30 cm) back to the tank. Rounded pea gravel with a minimum diameter of 1/8" and a maximum diameter of 3/4" must be used for backfill around all FlexWorks Pipes.

WARNING - DANGER

Improper vent line installation, including failure to maintain proper slope back to the tank, may create restrictions that can prevent proper operation of the vapor recovery system and/or prevent the tank from breathing properly, resulting in tank failure.

Step 3

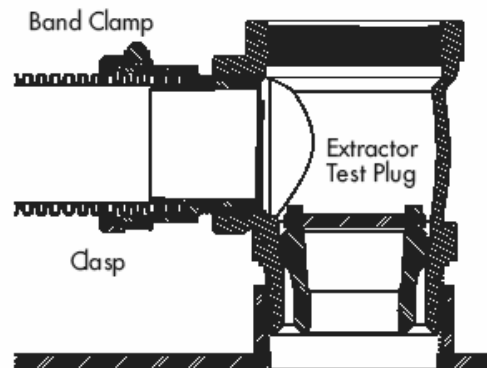
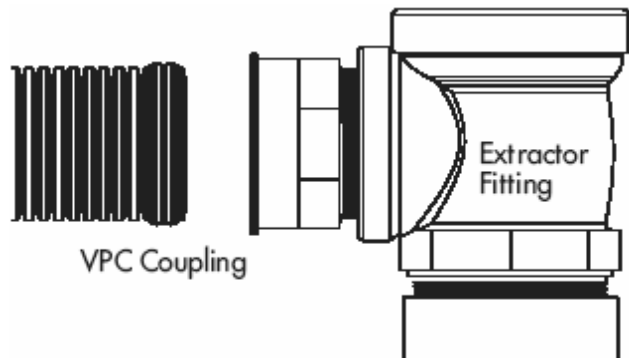
Cut the vent pipe to the desired length using a razor knife. Make sure the cuts are at the center of the valley between corrugations and are square and free of burrs. Mark the pipe 1-3/4" (4.5 cm) from each end. This is the distance that the pipe must be inserted into the coupling.

Step 4

Install the T-Seals between the first two corrugations on each end of the pipe section and lubricate with grease. Make sure the seals and the coupling are free of dirt and debris.

Step 5

Apply grease to the inside of the vent coupling. Make sure the inside of the coupling is free of dirt and debris. Carefully push the vent pipe into the coupling until it bottoms out. Make sure the pipe is fully inserted as far as the mark made on the pipe in Step 3.



Step 6

Place the clasps on the assembly and secure with the band clamp.

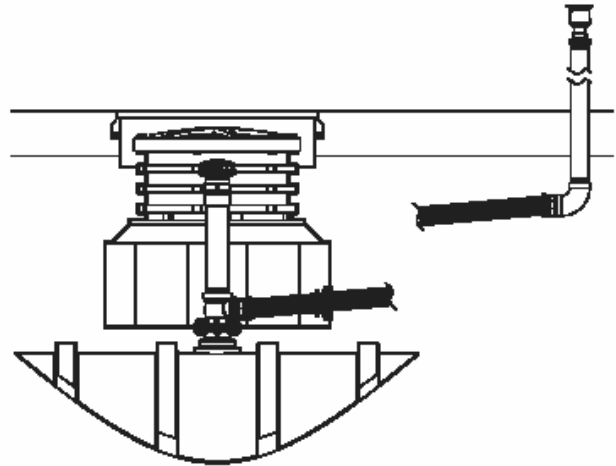
Step 7

Plug the 233 extractor fitting with the 233VP test plug to isolate the tank from the vent line. Air test the ventline to 5 psi maximum and check for leaks with soap water. Repair any leaks if necessary. Leave the vent line pressurized during backfill to detect any damage that may occur.

Caution: Never pressurize the vent line before it is isolated from the tank. Never exceed 5 psig on the vent line. Allow 24 hours for thread sealant to cure before testing.

Step 8

Position the pipe in the trench so that a minimum 3/8" (1 cm) per foot (30 cm) slope is maintained.



IMPORTANT

Improper vent line installation, including failure to maintain proper slope back to the tank, may create restrictions which can prevent proper operation of the vapor recovery system and/or prevent the tank from breathing properly, resulting in tank failure.

Notice: OPW Fueling Containment Systems products must be used in compliance with applicable federal, state, provincial, and local laws and regulations. Product selection should be based on physical specifications and limitations and compatibility with the environment and material to be handled. OPW Fueling Containment Systems makes no warranty of fitness for a particular use. All illustrations and specifications in this literature are based on the latest production information available at the time of publication. Prices, materials, and specifications are subject to change at any time, and models may be discontinued at any time, in either case, without notice or obligation.

Standard Product Warranty: OPW Fueling Containment Systems warrants that products sold by it are free from defects in materials and workmanship for a period of one year from the date of manufacture by OPW. Proof of purchase may be required. For any product certified to California 2001 standards*, FlexWorks by OPW Fueling Containment Systems warrants that products sold by it are free from defects in material and workmanship for a period of one year from date of manufacture or one year from date of registration of installation not to exceed 15 months from date of manufacture by OPW. As the exclusive remedy under this limited warranty, OPW Inc. will at its sole discretion, repair, replace, or issue credit for future orders for any product that may prove defective within the one year date of manufacture period (repairs, replacements, or credits may be subject to prorated warranty for remainder of the original warranty period, complete proper warranty claim documentation required.) FlexWorks by OPW Fueling Containment Systems further guarantees that all FlexWorks primary pipe is free from defects in materials and workmanship for a period of ten (10) years from the date of manufacture. Any FlexWorks primary pipe proven to be defective in materials or workmanship within said 10-year period will, at OPW FCS's option, be repaired or replaced, or credit will be given for future orders. OPW FCS will bear the reasonable labor costs associated with the repair or replacement of non-conforming FlexWorks primary pipe when such pipe has been used exclusively in a complete FlexWorks Retractable System. Any defect will be corrected promptly upon written notification to FlexWorks by OPW, Inc. at P.O. Box 405003 Cincinnati, Ohio 45240, attention Customer Service Manager. This warranty shall not apply to any product that has been altered in any way, which has been repaired by any other person than a service representative authorized by FlexWorks by OPW FCS or when failure is due to misuse, improper installation or maintenance. OPW FCS shall have no liability whatsoever for special, incidental, or consequential damages to any party, and shall have no liability for the cost of labor, freight, excavation, clean-up, downtime, removal, reinstallation, loss of profit, or any other cost or charges. *Products certified to the California 2001 standards will have an OPW registration card enclosed/attached to the product. THIS WARRANTY IS IN LIEU OF ALL OTHER WARRANTIES, EXPRESSED OR IMPLIED, AND SPECIFICALLY THE WARRANTIES OF MERCHANTABILITY AND FITNESS FOR A PARTICULAR PURPOSE. THERE ARE NO WARRANTIES, WHICH EXTEND BEYOND THE DESCRIPTION ON THE FACE HEREOF.



3250 US 70 Business West
Smithfield, N.C., 27577-0330
Customer Service: 1-866-422-2525
Customer Service Fax: 1-800-421-3297
Technical Service: 1-866-547-1816
www.opwfcs.com

Please contact your OPW-FCS sales representative or OPW-FCS customer service representative at 1-800-422-2525 for OPW-FCS products installation procedures. All FlexWorks literature including installation instruction sheets and manuals can be accessed from the OPW-FCS website at: www.opwfcs.com.