

IMPORTANT: Please read all warnings and follow the installation instructions completely and carefully. Failure to do so will void all warranties and may cause product failure, or result in environmental contamination due to liquid leakage into the soil, creating hazardous spill conditions

WARNING - DANGER: Using electrically operated equipment near gasoline or gasoline vapors may result in fire or explosion, causing personal injury and property damage. Be sure that the working area is free from such hazards, and always use proper precautions.

Tank Sumps

FlexWorks Tank Sumps are installed below grade on top of UST's to provide access to secondary containment of underground equipment such as submersible pumps, tank bung fittings, and various piping connections. Tank Sumps extend from the top of the tank to just below a manhole cover at grade level. The sump cover must be located within the grade level manhole skirt just under the manhole cover. If the tank is too deep to allow for this, a deeper sump must be used. Do not exceed Maximum Sump Base Burial Depths: TSS-39"; TSM-44" and TSD-56".

Step #1

Mount the Tank Sump to the UST. Flexworks Tank Sumps are mounted to bung fittings on top of UST's using the following FlexWorks sump mounting flanges:

SMF-4E	4" NPT (tank bung) Mounting Flange
SMF-6	6" NPT (tank bung) Mounting Flange

(Refer to Mounting Flange Installation Instructions)

IMPORTANT: After mounting the sump to the tank, make sure the sump base is supported by backfill to prevent damage to the mounting seal area.

NOTICE: Manway mounting kits supplied by other manufacturers are not warranted by OPW. OPW bears no responsibility whatsoever for the integrity of joints using alternate tank sump mounting systems.

Step #2

The height of FlexWorks tank sumps can be adjusted in the field by cutting off a portion of the sump riser. Remove sump cover; rotate and slide off cover ring; remove cover seal. Determine the location to cut to allow the sump to extend just below the grade level access manhole cover within the manhole skirt. Using a saber saw, cut off the top section. **The cut must be made between ribs (on an inside rib) leaving a 1/2" lip to hold the seal in place.**

Step #3

Install the appropriate FlexWorks pipe and entry fittings into the flats around the tank sump base at the proper locations. (Refer to the appropriate FlexWorks Entry Fitting Installation Instructions).

Determining Pipe Entry Height

Pipe entries are generally located as close to the bottom of the tank sump as possible. The lower the pipe entry into the tank sump wall, the easier it will be to maintain the proper piping slope back to the UST from the dispensers.

Step #4

Complete all piping connections, and reattach the sump cover assembly. Apply a bead of urethane sealant (SL-1100) under the cover seal to hold it in place.

Leak Testing

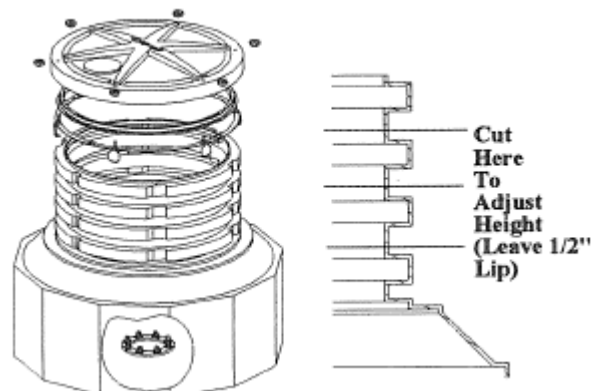
After all connections are made, fill the sump with water. A drop in the water level within 1 hour indicates a leak that must be corrected before backfilling.

Backfilling

Rounded pea gravel with a minimum diameter of 1/8" and a maximum diameter of 3/4" must be used for backfill around FlexWorks Tank Sumps. To prevent sump distortion, avoid dumping pea gravel directly onto the Tank Sumps when backfilling.

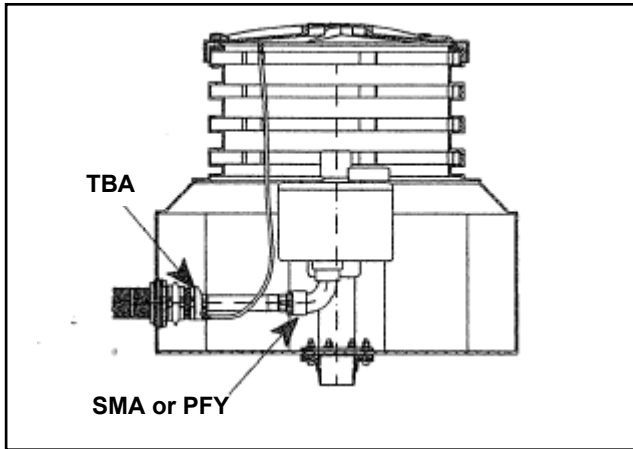
Maintenance

FlexWorks sumps are designed to provide secondary containment of tank equipment and piping connections. All sumps should be regularly checked for the presence of petroleum products. Third party approved liquid sensors should be installed in every sump. Any liquid present in the sump should be promptly removed and disposed of properly. The drainage area between the sump and manhole skirt must be kept clear of silt and debris to allow surface water to drain away.

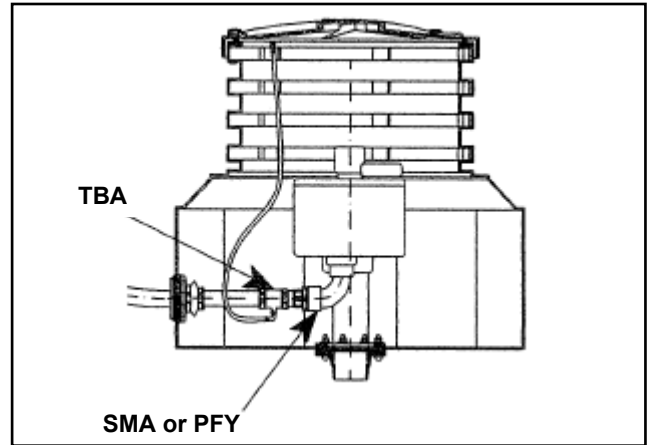


FlexWorks Tank Sumps - Cover Details

FlexWorks Tank Sump Piping Connections



Tank Sump Piping Connections - Retractable Piping System



Tank Sump Pipe Connections - Direct Bury Piping System

Notice: FlexWorks products must be used in compliance with applicable federal, state, and local laws and regulations. Product selection should be based on physical specifications and limitations and compatibility with the environment and material to be handled. OPW makes no warranty of fitness for a particular use. All illustrations and specifications in this literature are based on the latest production information available at the time of publication. Prices, materials, and specifications are subject to change at any time, and models may be discontinued at any time, in either case, without notice or obligation.

Product Warranty

OPW warrants that products sold by it are free from defects in materials and workmanship for a period of one year from the date of shipment by OPW. As the exclusive remedy under this limited warranty, FlexWorks by OPW, Inc., will at its sole discretion, repair, replace, or issue credit for future orders for any product that may prove defective within the one year period. This warranty shall not apply to any product that has been altered in any way, which has been repaired by any party other than a service representative authorized by OPW or when failure is due to misuse, conditions of use, or improper installation or maintenance. Neither OPW Fueling Containment Systems nor OPW shall in any instance have any liability whatsoever for special, incidental or consequential damages to any party and shall have no liability for the cost of labor, freight, excavation, clean up, downtime, removal, reinstallation, loss of profit, or any other cost or charges in excess of the amount of the original invoice for the products.

THIS WARRANTY IS IN LIEU OF ALL OTHER WARRANTIES, EXPRESS OR IMPLIED, AND SPECIFICALLY THE WARRANTIES OF MERCHANTABILITY AND FITNESS FOR A PARTICULAR PURPOSE. THERE ARE NO WARRANTIES WHICH EXTEND BEYOND THE DESCRIPTION ON THE FACE HEREOF.



IMPORTANT INFORMATION - FOLLOW ALL INSTRUCTIONS

Please contact your OPW-FCS sales representative or OPW-FCS customer service representative at 1-800-422-2525 for OPW-FCS products installation procedures. All OPW-FCS literature including installation instruction sheets and manuals can be accessed from the OPW-FCS website at: www.opwfcs.com.



OPW Fueling Containment Systems
3250 US 70 Business West
Smithfield, NC 27577

Customer Service: (800)-422-2525
Customer Service Fax: (800)-421-3297
Technical Questions: (919)-934-2786
Literature Requests: (919) 934-2786
www.opwfcs.com

