



POMECO Installation and Maintenance Instructions 6111-1400 Tank Bottom Protector

IMPORTANT: Please read these warnings and use the assembly instructions completely and carefully before starting. Failure to do so may cause product failure, or result in environmental contamination due to liquid leakage into the soil, creating hazardous spill conditions.

IMPORTANT: The POMECO Tank Bottom Protector is pre-assembled for your convenience and ease of installation. Check to make sure the unit is intact and undamaged and all parts have been supplied. Never substitute parts for those supplied. Doing so may cause product failure.

WARNING-DANGER: Using electrically operated equipment near gasoline or gasoline vapors may result in a fire or explosion, causing personal injury and property damage. Be sure that the working area is free from such hazards, and always use proper precautions.

NOTE: At all times when product is in the storage tank keep the riser pipe capped, so the vapors cannot escape into the environment.

Notice: OPW products must be used in compliance with applicable federal, state, and local laws and regulations. Product selection should be based on physical specifications and limitations and compatibility with the environment and material to be handled. All illustrations and specifications in this literature are based on the latest production information available at the time of publication. Prices, materials, and specification are subject to change at any time, and models may be discontinued at any time, in either case, without notice or obligation.

Standard Product Warranty

OPW warrants that products sold by it are free from defects in materials and workmanship for a period of one year from the date of manufacture by OPW (ECO products two years from date of manufacture.) Proof of purchase may be required. As the exclusive remedy under this limited warranty, OPW, will at its sole discretion, repair, replace, or issue credit for future orders for any product that may prove defective within the one year date of manufacture period (repairs, replacements, or credits may be subject to prorated warranty for remainder of the original warranty period, complete proper warranty claim documentation required.) This warranty shall not apply to any product that has

been altered in any way, which has been repaired by any party other than a service representative authorized by OPW, or when failure is due to misuse, or improper installation or maintenance. OPW shall have no liability whatsoever for special, incidental or consequential damages to any party, and shall have no liability for the cost of labor, freight, excavation, clean up, downtime, removal, reinstallation, loss of profit, or any other cost or charges.

For any product certified to California 2001 standards, OPW warrants that product sold by it are free from defects in material and workmanship for a period of one year from date of manufacture or one year from date of registration of installation not to exceed 15 months from date of manufacture by OPW.

THIS WARRANTY IS IN LIEU OF ALL OTHER WARRANTIES, EXPRESS OR IMPLIED, AND SPECIFICALLY THE WARRANTIES OF MERCHANTABILITY AND FITNESS FOR A PARTICULAR PURPOSE. THERE ARE NO WARRANTIES, WHICH EXTEND BEYOND THE DESCRIPTION ON THE FACE HEREOF.

Tank Bottom Protector:

The POMECO Tank Bottom Protector is designed to protect the Underground Storage Tank from damage due to the tank measuring stick being dropped into the tank to measure the fluid level.

POMECO Tank Bottom Installation Instruction

1. Check the distance from the bottom of the fill tube to the bottom of the tank. Verify that this distance is in conformance with manufacturer's recommendations and Local Codes. Remove the drop tube from the tank.
2. Using a # 11 Drill (0.191") - Drill a hole into the fill tube about 1/2" above and 1" to 1 1/16 over from point "A" (see figures 1 and 2). Keep in mind that the **POMECO Tank Bottom Protector** must rest on the bottom of the tank.
3. Insert the **POMECO Tank Bottom Protector** and line up the # 11 hole in the sliding rod guide with the corresponding hole just drilled in the drop tube. Make sure that point "A" is clear for future measurements of the drop tube's length. (See figure 2)
4. Attach the **POMECO Tank Bottom Protector** with the pop rivet supplied. Drill two more # 11 holes into the drop tube and sliding rod guide at the same time. Install supplied pop rivets into new holes.
5. Check to ensure that the **POMECO Tank Bottom Protector** slides up and down without binding.
6. Reinstall fill tube into the tank.

*Check local codes and regulation for proper dimension

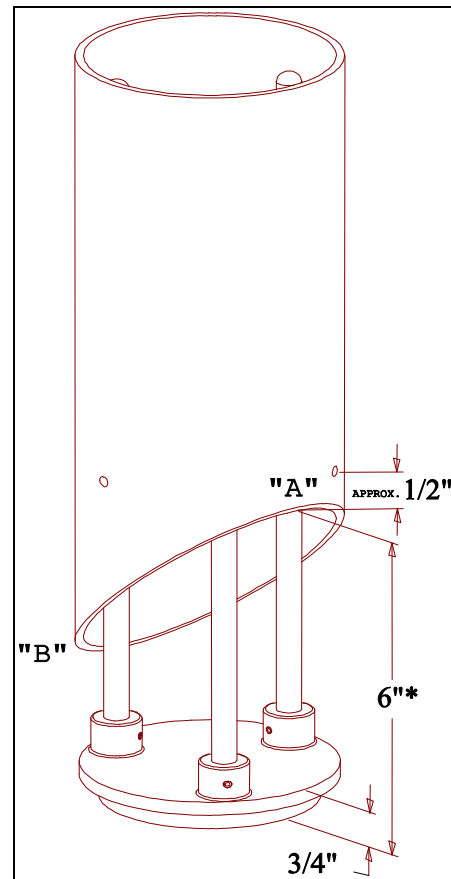


Figure 19

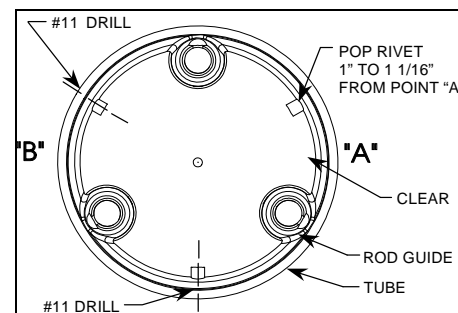


Figure 20



A  DOVER™ COMPANY

P.O. Box 405003 * Cincinnati, Ohio 45240-5003

1-800-422-2525 Domestically

513-870-3315 Internationally

www.opw-fc.com

Marketing Agent for POMECO by OPW, Inc.

Copyright, 2002 - OPW Fueling Components Inc., Cincinnati, OH

Printed in U.S.A. p/n H14977PA – 09/02