



# OPW Installation and Maintenance Instructions

## OPW 1-3100-TOOL Installation Torque and Removal Tool Instructions

**IMPORTANT:** Please read these warnings and use the assembly instructions completely and carefully before starting. Failure to do so may cause product failure, or result in environmental contamination due to liquid leakage into the soil, creating hazardous spill conditions.

**IMPORTANT:** The OPW 1-3100-TOOL is pre-assembled for your convenience and ease of use. Check to make sure the unit is intact and undamaged and all parts have been supplied. Never substitute parts for those supplied. Doing so may cause product failure.

**WARNING-DANGER:** Using electrically operated equipment near gasoline or gasoline vapors may result in a fire or explosion, causing personal injury and property damage. Be sure that the working area is free from such hazards, and always use proper precautions.

**NOTE:** At all times when product is in the storage tank keep the riser pipe capped, so the vapors cannot escape into the environment.

**Notice:** OPW products must be used in compliance with applicable federal, state, and local laws and regulations. Product selection should be based on physical specifications and limitations and compatibility with the environment and material to be handled. All illustrations and specifications in this literature are based on the latest production information available at the time of publication. Prices, materials, and specification are subject to change at any time, and models may be discontinued at any time, in either case, without notice or obligation.

### Standard Product Warranty

OPW warrants that products sold by it are free from defects in materials and workmanship for a period of one year from the date of manufacture by OPW (ECO products two years from date of manufacture.) Proof of purchase may be required. As the exclusive remedy under this limited warranty, OPW, will at its sole discretion, repair, replace, or issue credit for future orders for any product that may prove defective within the one year date of manufacture period (repairs, replacements, or credits may be subject to prorated warranty for remainder of the original warranty period, complete proper warranty claim documentation required.) This warranty shall not apply to any product that has been altered in any way, which has been repaired by any party other than a service representative authorized by OPW, or when failure is due to misuse, or improper installation or maintenance. OPW shall have no liability whatsoever for special, incidental or consequential damages to any party, and shall have no liability for the cost of labor, freight, excavation, clean up, downtime, removal, reinstallation, loss of profit, or any other cost or charges.

For any product certified to California 2001 standards, OPW warrants that product sold by it are free from defects in material and workmanship for a period of one year from date of manufacture or one year from date of registration of installation not to exceed 15 months from date of manufacture by OPW.

THIS WARRANTY IS IN LIEU OF ALL OTHER

WARRANTIES, EXPRESS OR IMPLIED, AND SPECIFICALLY THE WARRANTIES OF MERCHANTABILITY AND FITNESS FOR A PARTICULAR PURPOSE. THERE ARE NO WARRANTIES, WHICH EXTEND BEYOND THE DESCRIPTION ON THE FACE HEREOF.

### OPERATION INSTRUCTIONS:

#### Removing Nipple Adaptor: (See Figure 1)

Remove three 9/16" bolts from nipple adaptor flange and remove entire adaptor assembly as one piece by pulling straight out.

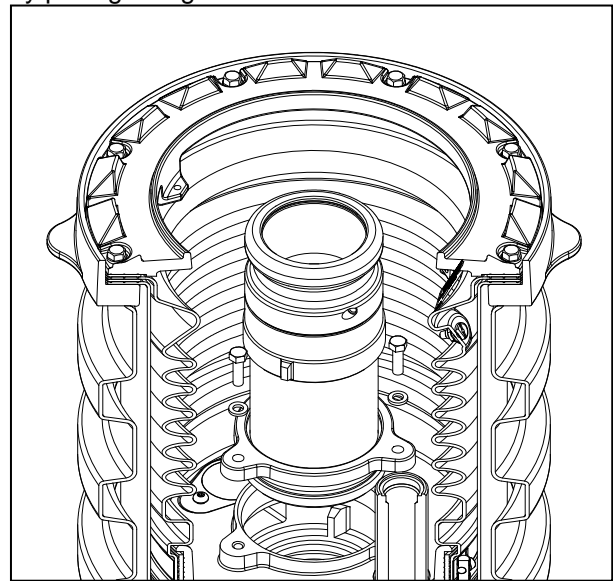


Figure 1

#### Installing Nipple in Nipple Adaptor: (See Figure 2)

To properly torque the Nipple Adaptor and nipple, use the 1-3100-TOOL to tighten the Nipple Adaptor with the nipple secured to prevent rotation.

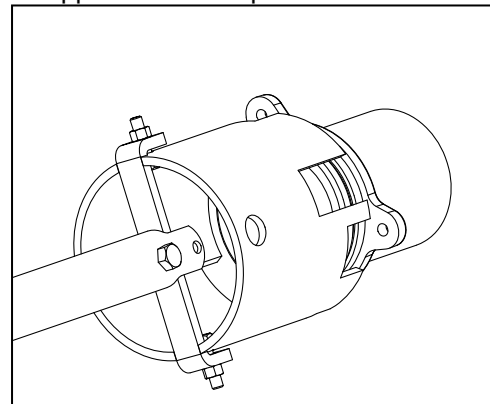


Figure 2

**Primary Bucket Install/Removal:** (See Figure 3)

To remove primary spill bucket, first remove the eight 9/16" bolts holding the top ring in place. With the bolts holding the top ring removed, align the largest window on 1-3100-TOOL with the drain valve or drain plug. By aligning this window to the drain valve or plug, the three smaller windows will align with the three bosses on the bottom of the primary base and prevent damage to the drain valve if one is installed.

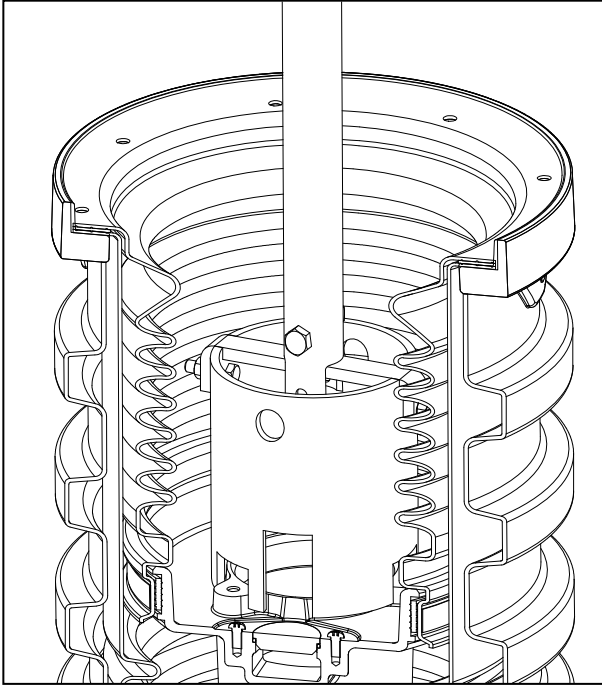


Figure 3

**Secondary Bucket Install/Removal:** (See Figure 4)

To loosen or tighten the secondary base, align the two windows 180 degrees apart on the 1-3100-TOOL with the two lugs on the secondary base.

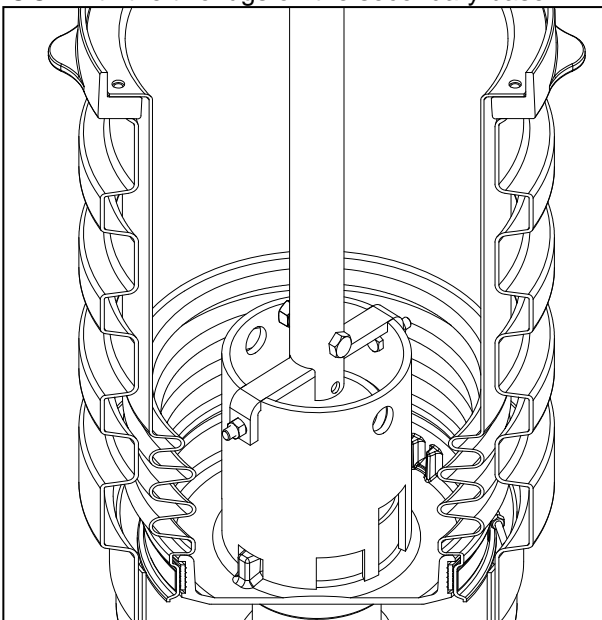


Figure 4

**Setting Torque:** (See Figure 5)

To set the torque on the primary base, secondary bases, or nipple adaptor, , remove the hand bar and vertical post on the 1-3100-TOOL by removing the bolt in the post. This exposes the 7/8" hex head to allow a torque wrench to be used. Align the tool to the respective item as described above.

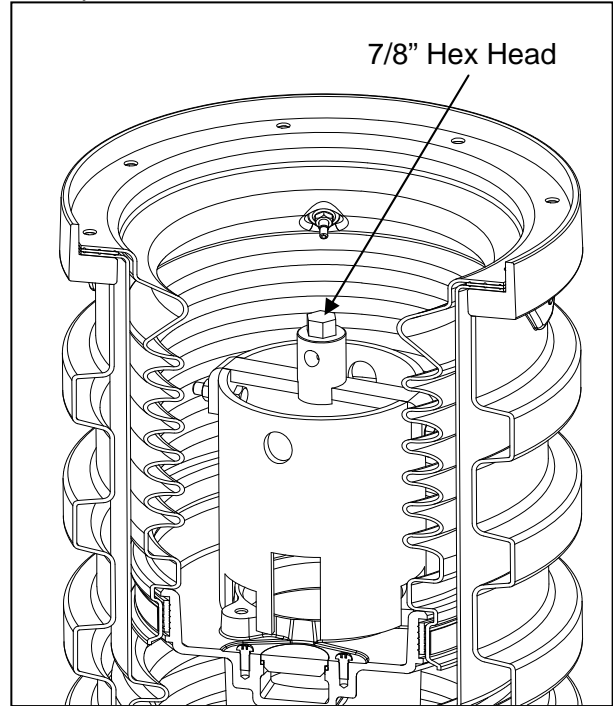


Figure 5



P.O. Box 405003, Cincinnati, Ohio 45240-5003  
1-800-422-2525 Domestically  
513-870-3315 Internationally  
www.opw-fc.com  
Copyright, 2008  
OPW Fueling Components Inc., Cincinnati, OH  
Printed in U.S.A. p/n 202395 – 05/08