

LM-Plus Dry Bulk Manhole

The Gold Standard in Dry-Bulk Manholes.

The Civacon LM Offers Unique Features that Deliver Superior Performance

For more than 50 years, Civacon has been a specialized manufacturer of pressure and non-pressure manholes used in the handling, transfer and transport of dry bulk commodities around the globe. In that time, Civacon manholes have been setting the standard for cost-effective, efficient and reliable operation in a wide range of industries and their respective dry-bulk handling applications.

LM Nylon Wearplate Features

- High-strength
- Easy to install
- Smooth operation
- No product hangups
- Handles working pressure up to 30 psi
- Increased service life
- Standard on new LM Series Manholes
- Can be retrofitted to existing LM Manholes

Barbed Gasket Design

- Easy to install
- No special tools needed
- No mess
- Performance immune to change in climate
- Available in Neoprene or Buna-N models
- Easy to replace when updating cam components



The LM manhole's advanced cam mechanism lets you adjust the cam bolt for a precision alignment and evenly applied lid force.



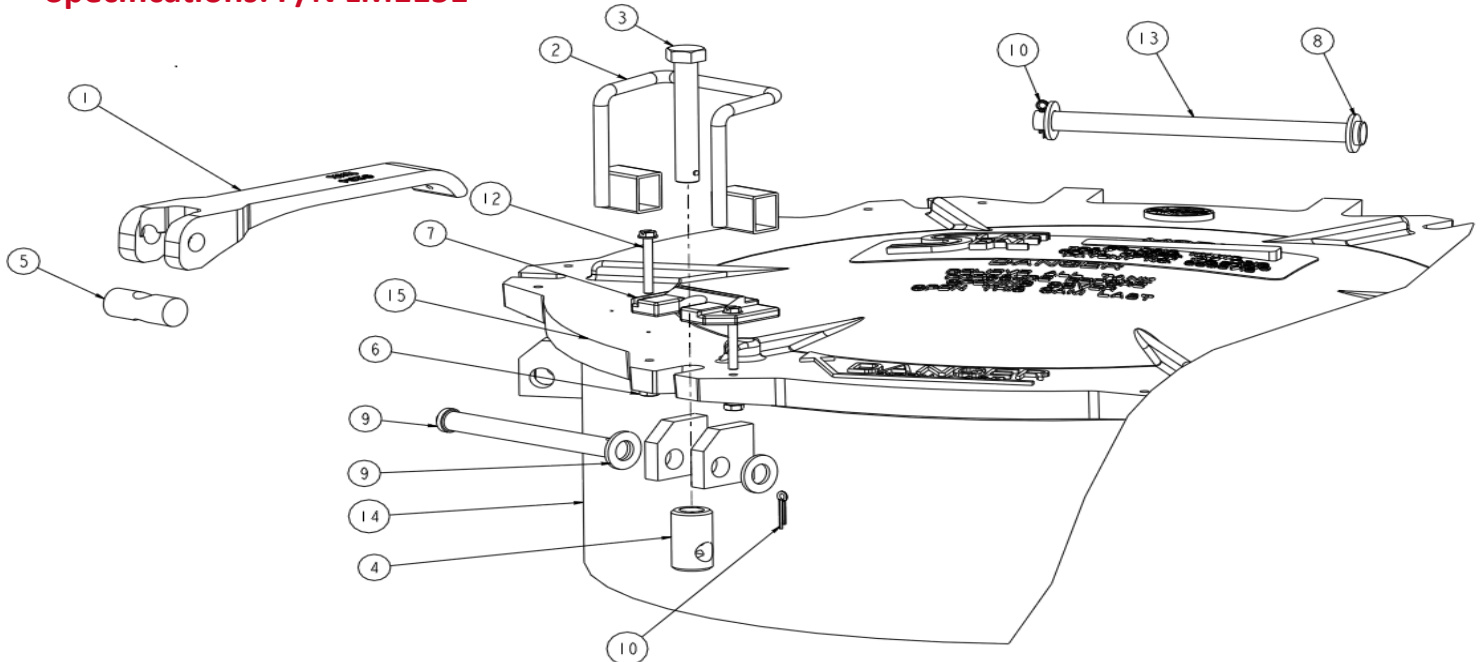
Advanced Cam Mechanism

- Adjustable cam bolts
- Precision alignment with lid
- Evenly applied lid force
- Consistent, superior seal
- Longer cam levers provide better leverage
- Improved mechanical operation
- Can be retrofitted to existing LM Manholes
- Simple, safe installation saves time and money

Dry Bulk Manholes that are the gold standard in handling, transfer and transport of dry-bulk commodities around the globe.

LM-Plus Dry Bulk Manhole

Specifications: P/N LM1151



Item	P/N	Description	Req'd
1	10079	Cam Lever	6
2	9300	Safety Catch Assembly	1
3	10147	Bolt	6
4	1012	Connector	6
5	3068	Pin Upper Pivot	6
6	4486	Lock Nut	12
7	6832	Wear Plate Nylon	6
8	1043	Washer (1/2" Flat)	4
9	5084	Pin Safety Catch	1
10	1045	Cotter Pin	7

11	5677	Cam Pin (not shown)	
12	6585	Screw (10-24 x 1-1/4")	12
13	3955	Pin Pld. Clev.	1
14	3467	Weld Ring Aluminum	1
15	9093	Aluminum Cover	1
	9583	Kit Cam Assembly (includes items 1-13)	
	10869	Single Cam Assembly	
	10870	Single Cam Assembly w/Safety Catch	
	9209	Gasket White Neoprene	
	9821	Gasket Buna-N	



Civacon LM Manholes	
CAM Adjustment	
✓	Precision Alignment with Lid
✓	Superior Seal
Gasket	
✓	Toolless Barbed Gasket
✓	No Thermal Changes Caused by Climate



Typical Industry Manhole	
CAM Adjustment	
✗	No Precision Alignment with Lid
✗	Seal Wears Down Over Time
Gasket	
✗	Special Tools Required
✗	Affected by Changes in Climate